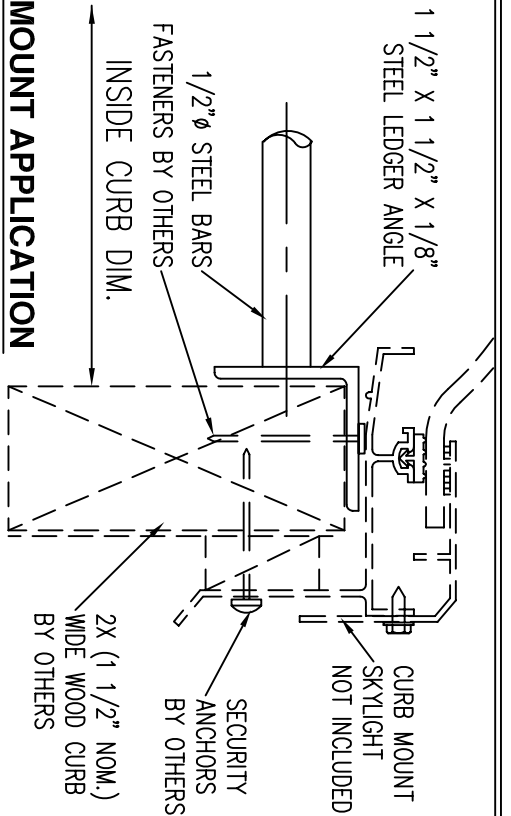
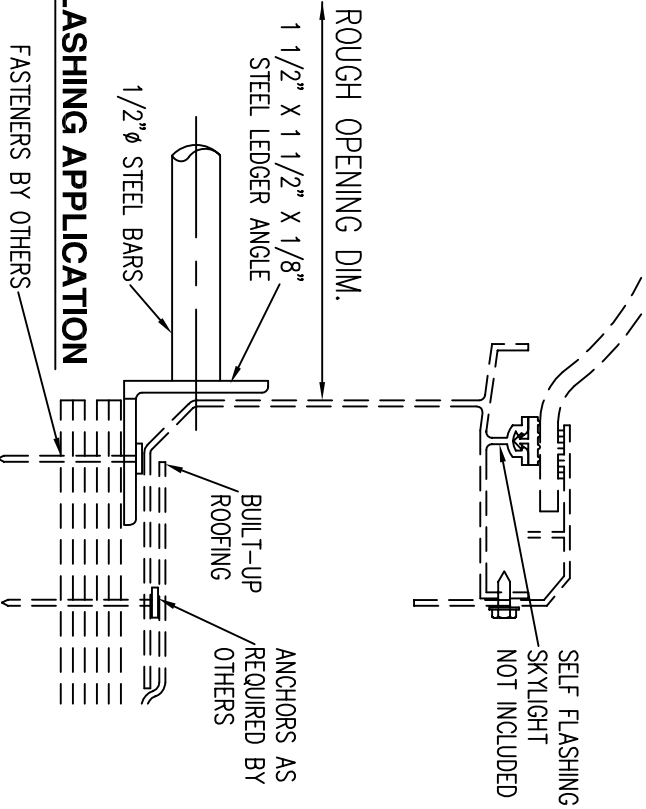


BB-2

CURB MOUNT APPLICATION



SELF FLASHING APPLICATION



FINISH		OTHER	
<input checked="" type="radio"/> WHITE POWDER COAT	<input type="radio"/>		
MODEL INSIDE CURB DIM. QTY.	MODEL INSIDE CURB DIM. QTY.		
SQUARE		RECTANGULAR	
4848	48" X 48"	4896	48" X 96"

PROJECT :		REVISIONS	
CUSTOMER :		△	
APPROVED BY:		△	
JOB NO. :	DWG. BY: O.S.	DATE NEEDED OR SHIP BY:	
DATE SUB.:		STEEL BURGLAR BARS	PAGE: 3.08