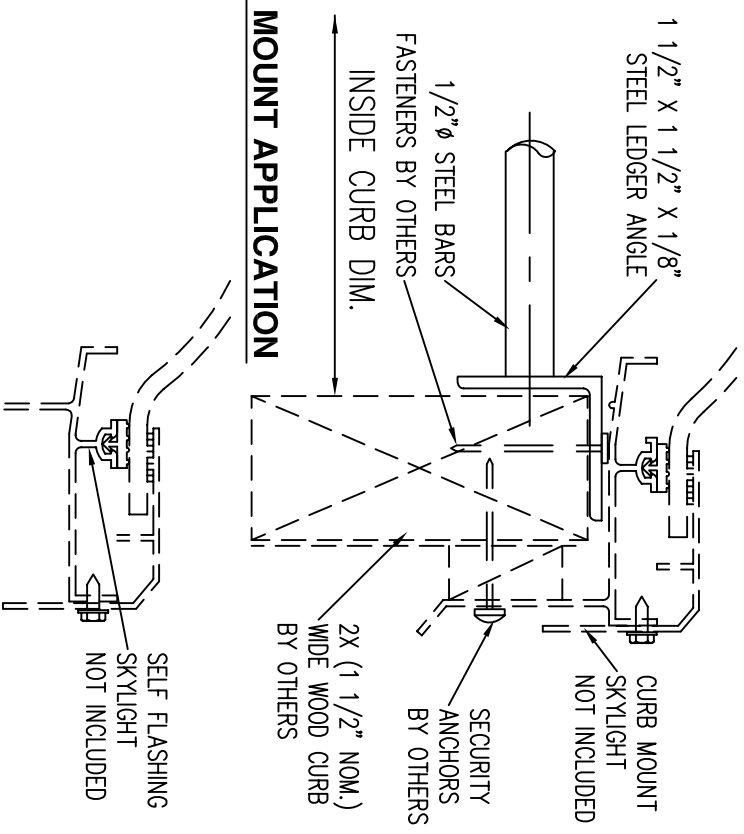


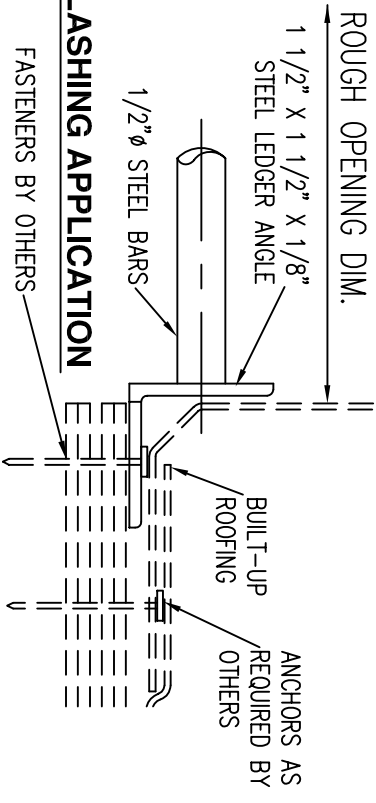
**4896-BB-1**

<b>FINISH</b>			
<input checked="" type="radio"/> WHITE POWDER COAT	<input type="radio"/> OTHER _____		
MODEL	INSIDE CURB DIM.	QTY.	MODEL
4848	48" X 48"	4896	48" X 96"
SQUARE		RECTANGULAR	

**CURB MOUNT APPLICATION**



**SELF FLASHING APPLICATION**



<b>PROJECT :</b>			
<b>CUSTOMER :</b>			
<b>APPROVED BY :</b>			
<b>JOB NO. :</b>	DWG. BY: O.S.	<b>DATE NEEDED OR SHIP BY :</b>	
<b>DATE SUB. :</b>	<b>STEEL BURGLAR BARS</b>		
			<b>REVISIONS</b>
			△ _____
			△ _____
			△ _____
			PAGE: 3.07