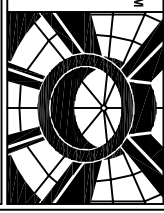


ACRALIGHT™
INTERNATIONAL SKYLIGHTS
800-325-4355

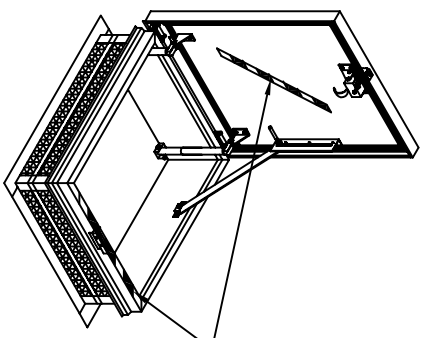


FRAME FINISH
FINISH
 FEDERAL SAFETY RED POWDER COAT
 OTHER: _____

QTY	MODEL	ROUGH OPENING	QTY	MODEL	ROUGH OPENING
		SQUARE			RECTANGULAR
	3030	2'-6" X 2'-6"		3048	2'-6" X 4'-0"
	3636	3'-0" X 3'-0"		3648	3'-0" X 4'-0"
	4848	4'-0" X 4'-0"		3054	2'-6" X 4'-6"
		RECTANGULAR		9648	8'-0" X 4'-0"
	2430	2'-0" X 2'-6"			
	3036	2'-6" X 3'-0"			

S-RH

SCALE: 6" = 1'-0"



FIRST CURB DIMENSION DENOTES HINGE SIDE

PROJECT :	DATE NEEDED OR SHIP BY:	REVISIONS
CUSTOMER :		△ _____
APPROVED BY:		△ _____
JOB NO. :	DWG BY: O.S.	△ _____
DATE SUB.:	GALVANIZED STEEL ROOF ACCESS HATCH SELF FLASHING	△ _____
		PAGE: 3.01