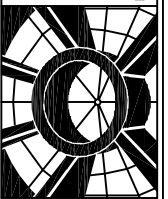


# ACRALIGHT™

INTERNATIONAL SKYLIGHTS  
800-325-4355



### FRAME FINISH

- MILL (UNFINISHED)
- OTHER \_\_\_\_\_

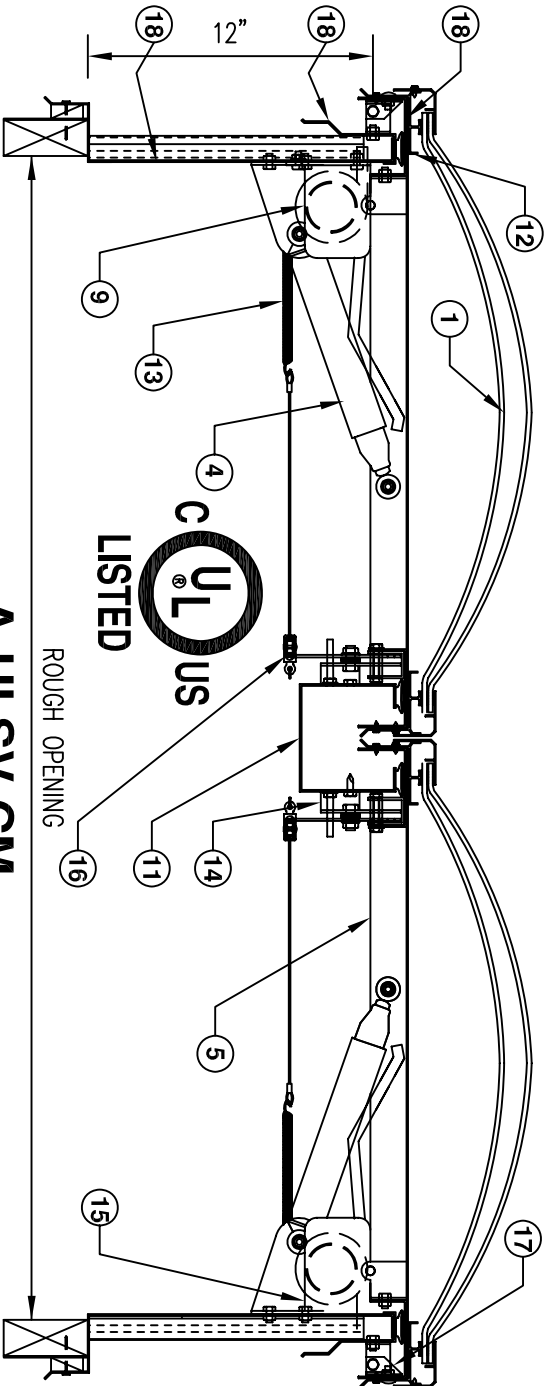
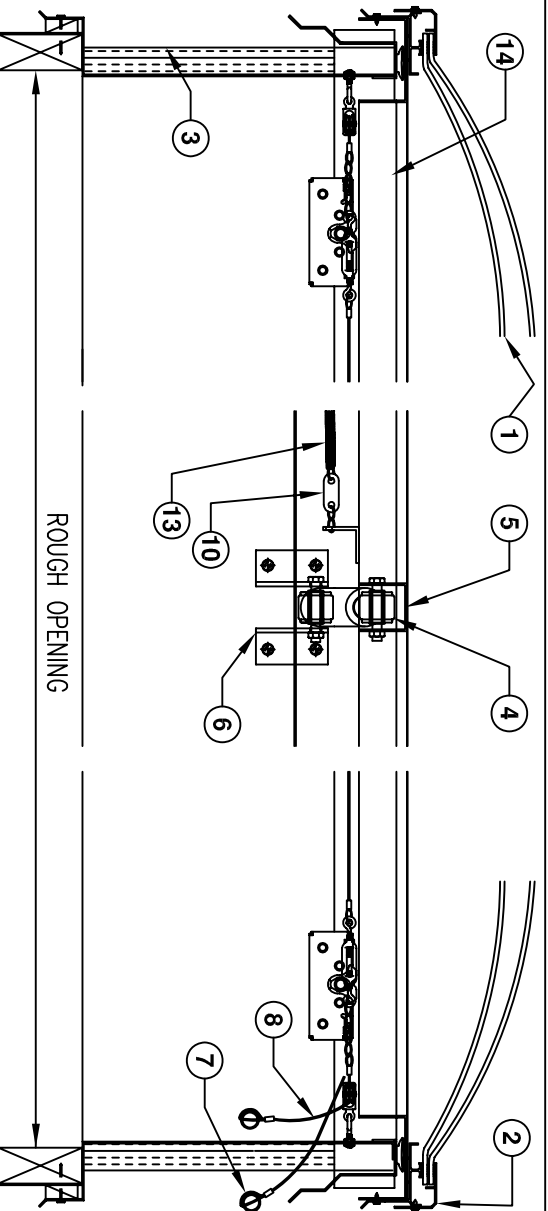
### MANUAL RELEASE OPTIONS

- INTERIOR RELEASE
- EXTERIOR RELEASE
- NO MANUAL RELEASE

### FUSIBLE LINK OPTIONS

- 165° UL/FM FUSIBLE LINK
- 212° UL/FM FUSIBLE LINK
- 286° UL/FM FUSIBLE LINK

- ① DOUBLE GLAZED: SKY-TUFF/CLEAR ACRYLIC
- ② ALUM. DOME FRAME
- ③ 1" INSULATION w/ SKIN LINER
- ④ SHOCK ABSORBER
- ⑤ SHOCK CHANNEL BRACKET @ LID
- ⑥ .125 ALUM. SHOCK BRACKET @ BASE
- ⑦ EXTERIOR MANUAL RELEASE
- ⑧ INTERIOR MANUAL RELEASE OPTIONAL
- ⑨ SPRING (10 PSF)
- ⑩ UL/FM FUSIBLE LINK
- ⑪ .125 ALUM. MID CHANNEL GUTTER
- ⑫ EPDM GASKET
- ⑬ TENSION SPRING
- ⑭ LATCH ASSEMBLY
- ⑮ .125 ALUM. BRACKET
- ⑯ PULLEY
- ⑰ HINGE ASSEMBLY
- ⑱ .125 ALUM. CURB MOUNTED FRAME



**A-ULSV-CM**

| QTY. | MODEL     | ROUGH OPENING | QTY. | MODEL       | ROUGH OPENING |
|------|-----------|---------------|------|-------------|---------------|
|      | SQUARE    |               |      | RECTANGULAR |               |
| 4848 | 48" X 48" |               | 4872 | 48" X 72"   |               |
| 6060 | 60" X 60" |               | 4896 | 48" X 96"   |               |
|      |           |               | 6072 | 60" X 72"   |               |
|      |           |               | 6696 | 66" X 96"   |               |

|                      |   |                                |       |
|----------------------|---|--------------------------------|-------|
| <b>PROJECT :</b>     |   | <b>REVISIONS</b>               |       |
| <b>CUSTOMER :</b>    |   | △                              | _____ |
| <b>APPROVED BY :</b> |   | △                              | _____ |
| <b>DATE :</b>        |   | △                              | _____ |
| <b>JOB NO. :</b>     | <b>DWG. BY: O.S.</b>  | <b>DATE NEEDED OR SHIP BY:</b> |       |
| <b>DATE SUB.:</b>    | <b>ALUMINUM UL DUAL LID SMOKE VENT CURB MOUNTED DOUBLE DOME</b> | <b>PAGE: 2.22</b>              |       |