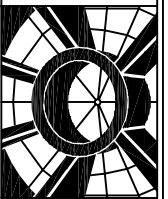


ACRALLIGHT™

INTERNATIONAL SKYLIGHTS
800-325-4355

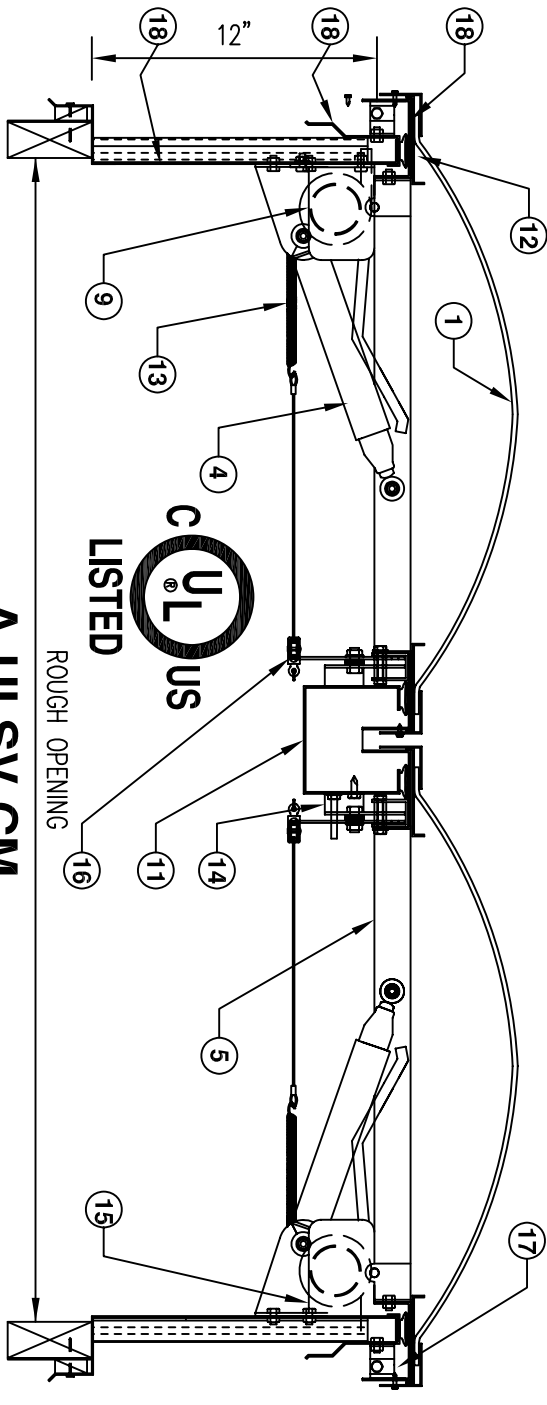
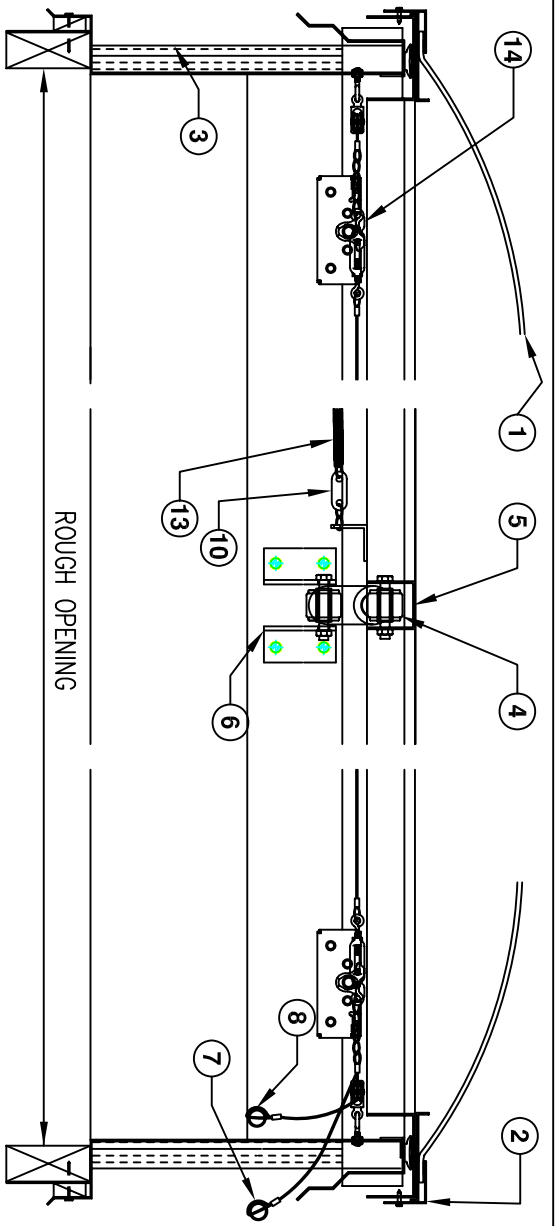


FRAME FINISH	MANUAL RELEASE OPTIONS
<input type="radio"/> MILL (UNFINISHED) <input type="radio"/> OTHER _____	<input type="radio"/> INTERIOR RELEASE <input type="radio"/> EXTERIOR RELEASE <input type="radio"/> NO MANUAL RELEASE

FUSIBLE LINK OPTIONS
<input type="radio"/> 165° UL/FM FUSIBLE LINK <input type="radio"/> 212° UL/FM FUSIBLE LINK <input type="radio"/> 286° UL/FM FUSIBLE LINK

- ① SINGLE GLAZED: SKY-TUFF
- ② ALUM. DOME FRAME
- ③ 1" INSULATION w/ SKIN LINER
- ④ SHOCK ABSORBER
- ⑤ SHOCK CHANNEL BRACKET @ LID
- ⑥ .125 ALUM. SHOCK BRACKET @ BASE
- ⑦ EXTERIOR MANUAL RELEASE
- ⑧ INTERIOR MANUAL RELEASE OPTIONAL
- ⑨ SPRING (10 PSF)
- ⑩ UL/FM FUSIBLE LINK
- ⑪ .125 ALUM. MID CHANNEL GUTTER
- ⑫ EPDM GASKET
- ⑬ TENSION SPRING
- ⑭ LATCH ASSEMBLY
- ⑮ .125 ALUM. BRACKET
- ⑯ PULLEY
- ⑰ HINGE ASSEMBLY
- ⑱ .125 ALUM. CURB MOUNTED FRAME

QTY.	MODEL	ROUGH OPENING	QTY.	MODEL	ROUGH OPENING
	SQUARE			RECTANGULAR	
4848	48" X 48"		4872	48" X 72"	
6060	60" X 60"		4896	48" X 96"	
			6072	60" X 72"	
			6096	60" X 96"	



PROJECT :	DATE :	REVISIONS
CUSTOMER :	DATE NEEDED OR SHIP BY :	△ _____
APPROVED BY :	DWG. BY: O.S.	△ _____
DATE SUB.:	ALUMINUM UL DUTY DUAL LID SMOKE VENT CURB MOUNTED SINGLE DOME	△ _____
		PAGE: 2.21