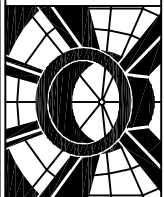


ACRALIGHT™

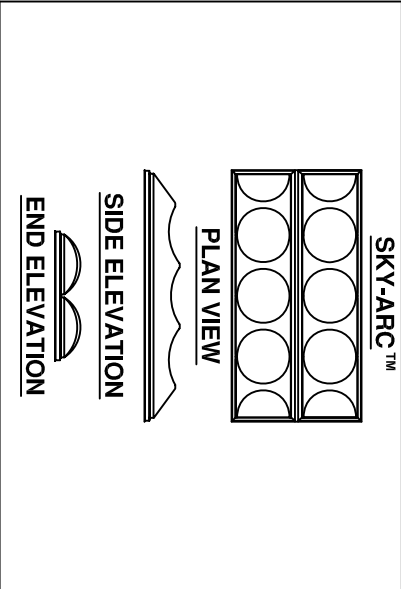
INTERNATIONAL SKYLIGHTS
800-325-4355



FRAME FINISH	MANUAL RELEASE OPTIONS
<input type="radio"/> MILL (UNFINISHED) <input type="radio"/> OTHER _____	<input type="radio"/> INTERIOR RELEASE <input type="radio"/> EXTERIOR RELEASE <input type="radio"/> NO MANUAL RELEASE

- FUSIBLE LINK OPTIONS**
- 165° UL/FM FUSIBLE LINK
 - 212° UL/FM FUSIBLE LINK
 - 286° UL/FM FUSIBLE LINK
 - 370° UL/FM FUSIBLE LINK

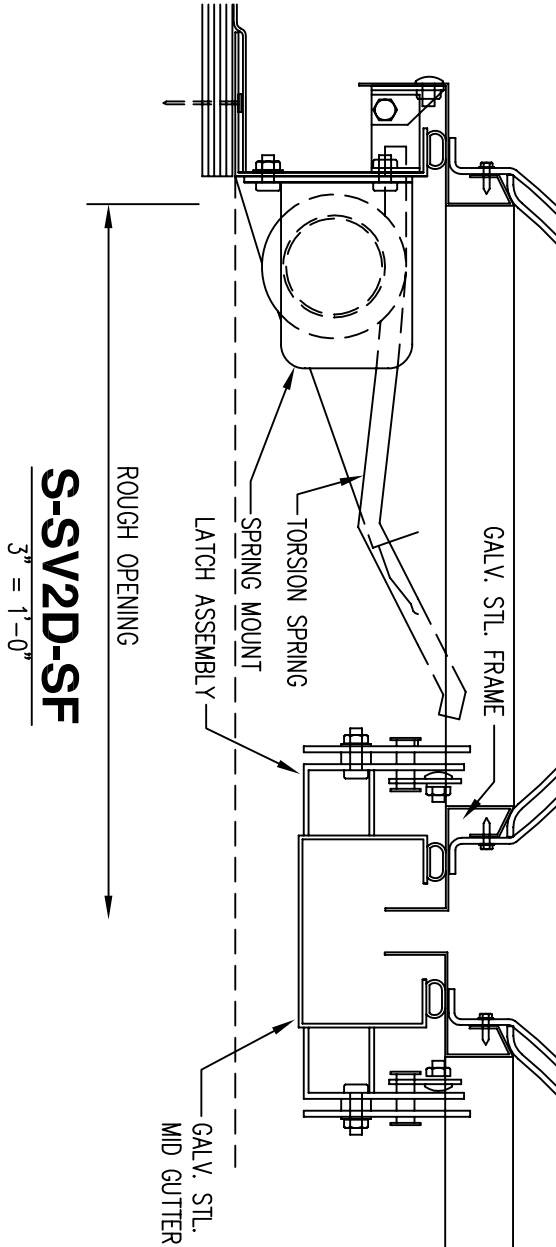
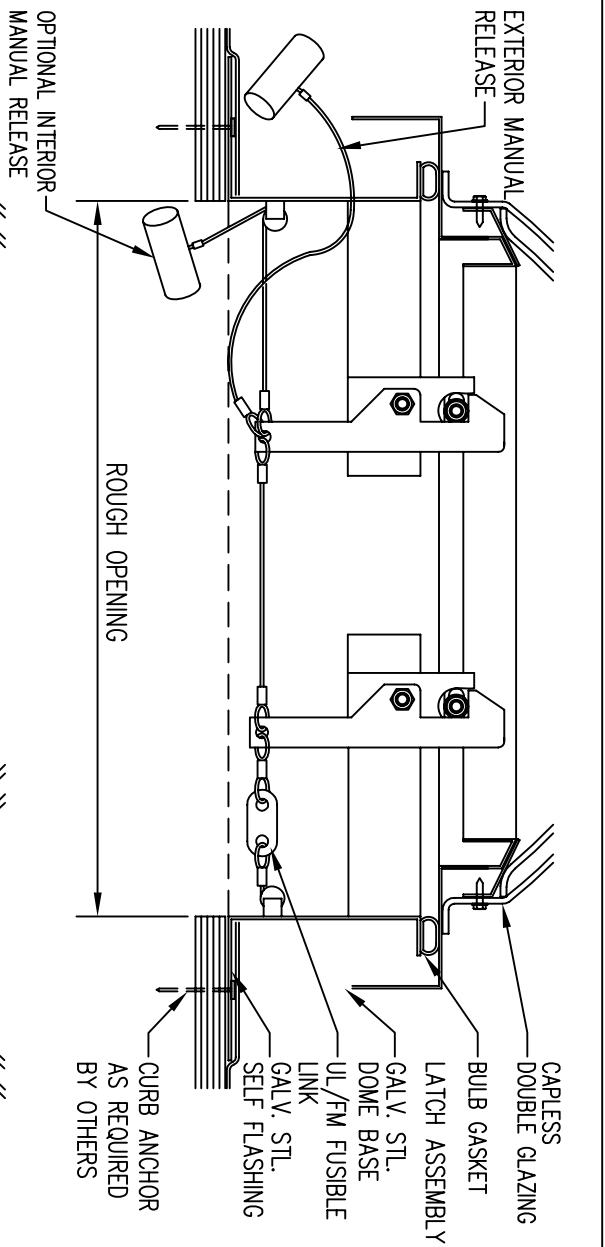
DOUBLE DOOR DOME GLAZING



- SKY-ARC™ DOUBLE GLAZING**
- OUTER GLAZING**
- SKY-ARC™ (SA) SKY TOUGH™ (ST) WHITE
 - CLEAR COLORLESS
- INNER GLAZING**

QTY.	MODEL	ROUGH OPENING	QTY.	MODEL	ROUGH OPENING
	SQUARE			RECTANGULAR	
4848	48" X 48"				
	RECTANGULAR				
4896	48" X 96"				

ICC ES RECOGNIZED 10 PSF



PROJECT :	REVISIONS
CUSTOMER :	△ _____
APPROVED BY :	△ _____
DATE :	△ _____
JOB NO. :	
DWG. BY : O.S.	
DATE NEEDED OR SHIP BY :	
DATE SUB. :	
STEEL DUAL LID SMOKE VENT SELF FLASHING DOUBLE DOME	PAGE : 2.20