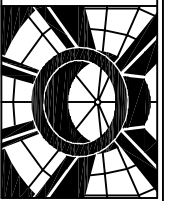


# ACRALIGHT™

INTERNATIONAL SKYLIGHTS  
800-325-4355

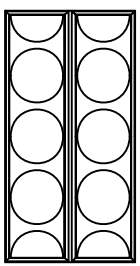


FRAME FINISH	MANUAL RELEASE OPTIONS
<input type="radio"/> MILL (UNFINISHED) <input type="radio"/> OTHER _____	<input type="radio"/> INTERIOR RELEASE <input type="radio"/> EXTERIOR RELEASE <input type="radio"/> NO MANUAL RELEASE

FUSIBLE LINK OPTIONS
<input type="radio"/> 165° UL/FM FUSIBLE LINK <input type="radio"/> 212° UL/FM FUSIBLE LINK <input type="radio"/> 286° UL/FM FUSIBLE LINK <input type="radio"/> 370° UL/FM FUSIBLE LINK

### DOUBLE DOOR DOME GLAZING

#### SKY-ARC™



PLAN VIEW



SIDE ELEVATION



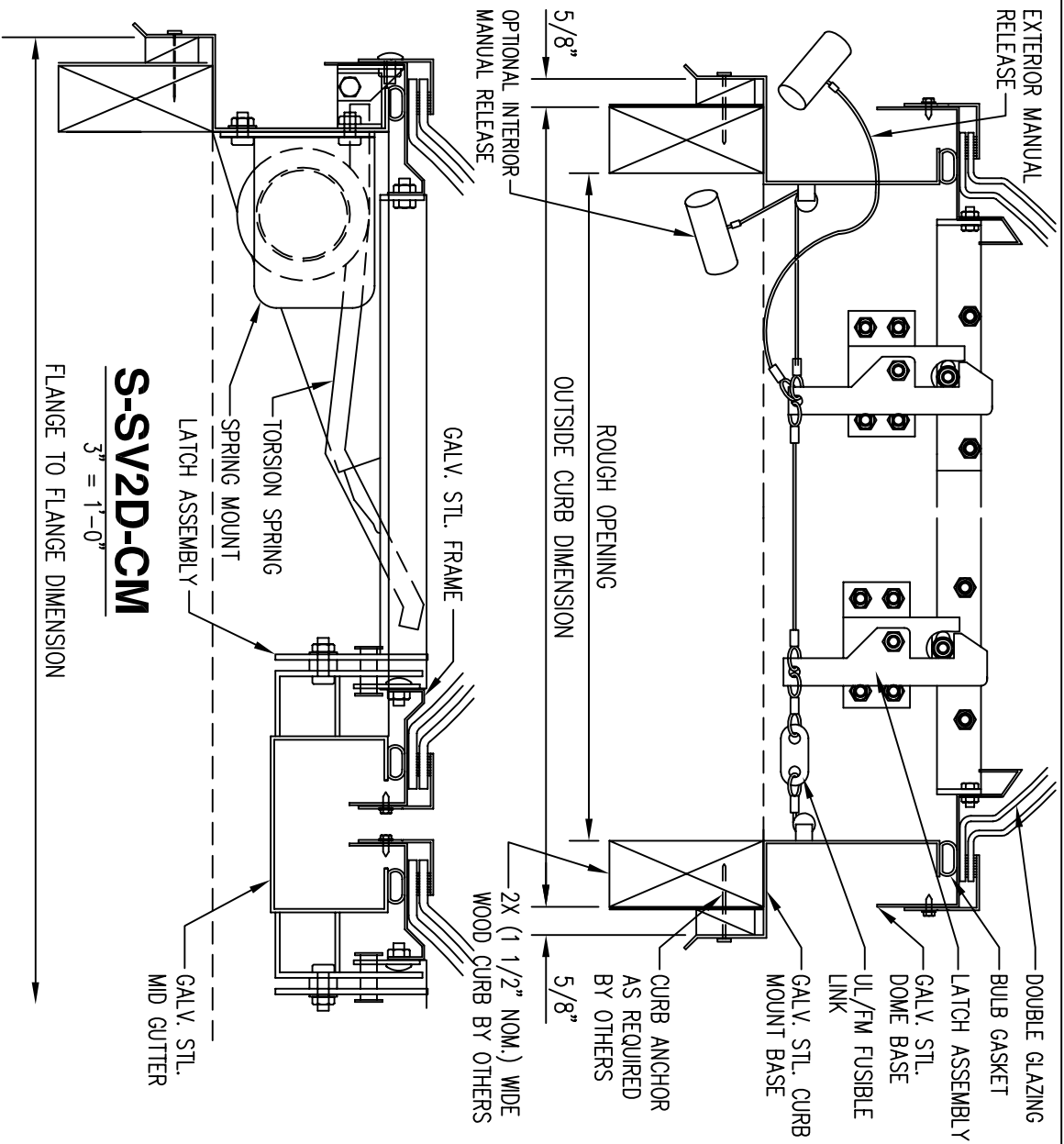
END ELEVATION

#### SKY-ARC™ DOUBLE GLAZING

- SKY-ARC (SA)™ SKY TOUGH (ST)™ WHITE INNER GLAZING
- CLEAR COLORLESS

QTY.	MODEL	ROUGH OPENING	QTY.	MODEL	ROUGH OPENING
	SQUARE			RECTANGULAR	
4848	48" X 48"				
	RECTANGULAR				
4896	48" X 96"				

**ICC ES RECOGNIZED 10 PSF**



<b>PROJECT :</b>	<b>DATE NEEDED OR SHIP BY:</b>	<b>REVISIONS</b>
<b>CUSTOMER :</b>		△ _____
<b>APPROVED BY:</b>	<b>DATE:</b>	△ _____
<b>JOB NO. :</b>	<b>DWG. BY : O.S.</b>	△ _____
<b>DATE SUB. :</b>	<b>STEEL ICC RECOGNIZED SMOKE VENT CURB MOUNTED DOUBLE DOME</b>	△ _____
	<b>PAGE: 2.18 CAP</b>	