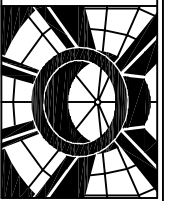


ACRALIGHT™

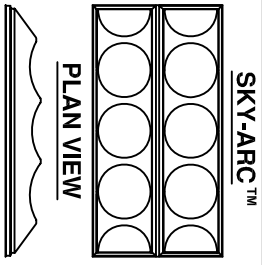
INTERNATIONAL SKYLIGHTS
800-325-4355



FRAME FINISH	MANUAL RELEASE OPTIONS
<input type="radio"/> MILL (UNFINISHED) <input type="radio"/> OTHER _____	<input type="radio"/> INTERIOR RELEASE <input type="radio"/> EXTERIOR RELEASE <input type="radio"/> NO MANUAL RELEASE

FUSIBLE LINK OPTIONS
<input type="radio"/> 165° UL/FM FUSIBLE LINK <input type="radio"/> 212° UL/FM FUSIBLE LINK <input type="radio"/> 286° UL/FM FUSIBLE LINK <input type="radio"/> 370° UL/FM FUSIBLE LINK

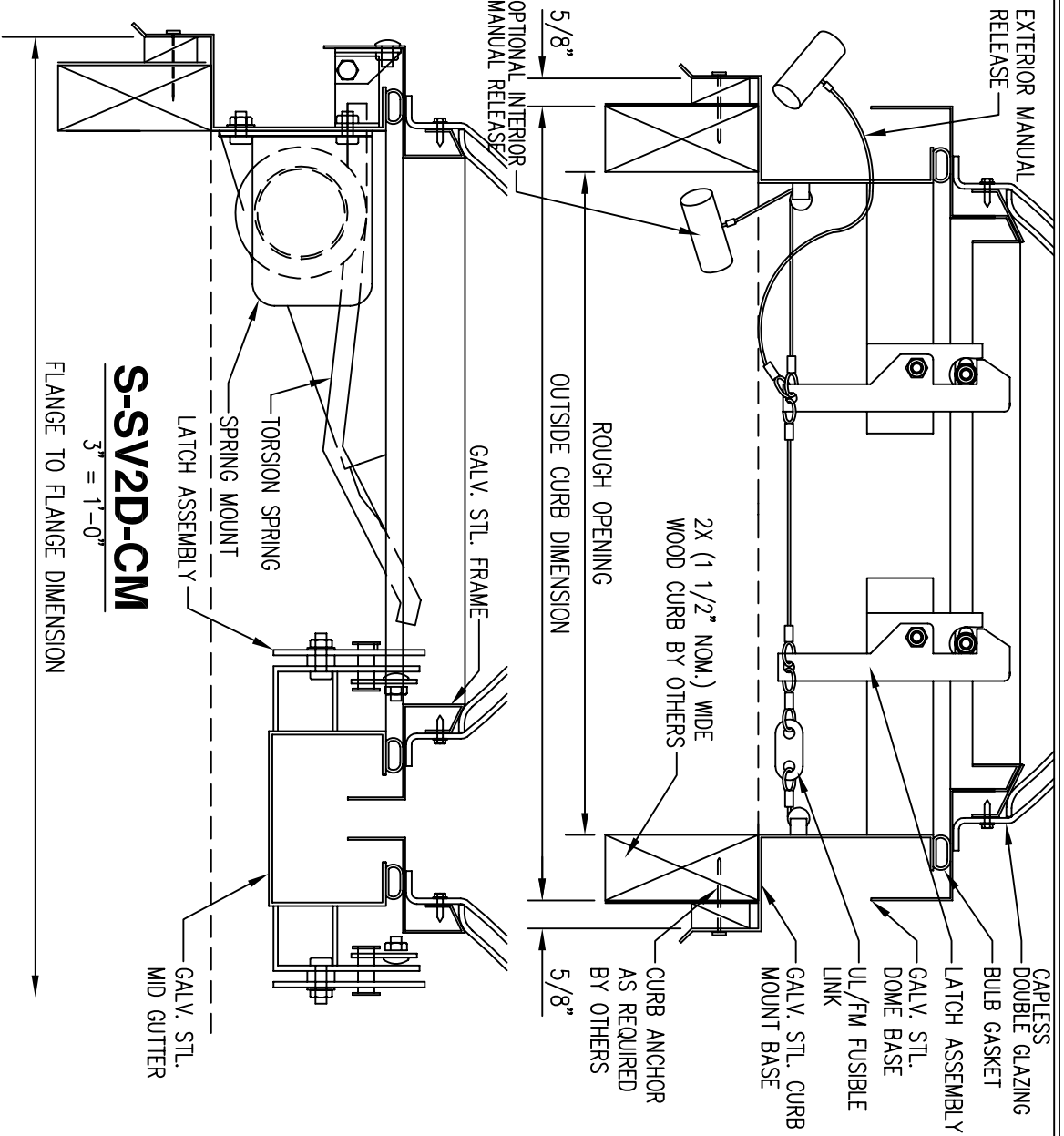
DOUBLE DOOR DOME GLAZING



SKY-ARC™ DOUBLE GLAZING
<input type="radio"/> OUTER GLAZING <input type="radio"/> SKY TOUGH™ (ST) WHITE <input type="radio"/> INNER GLAZING <input type="radio"/> CLEAR COLORLESS

QTY.	MODEL	ROUGH OPENING	QTY.	MODEL	ROUGH OPENING
	SQUARE			RECTANGULAR	
4848	48" X 48"				
	RECTANGULAR				
4896	48" X 96"				

ICC ES RECOGNIZED 10 PSF



PROJECT :	REVISIONS
CUSTOMER :	△ _____
APPROVED BY :	△ _____
JOB NO. :	△ _____
DATE SUB. :	△ _____
DWG. BY : O.S.	DATE NEEDED OR SHIP BY :
STEEL DUAL LID SMOKE VENT CURB MOUNTED DOUBLE DOME	PAGE : 2.18