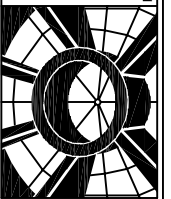


ACRALIGHT™

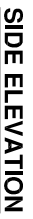
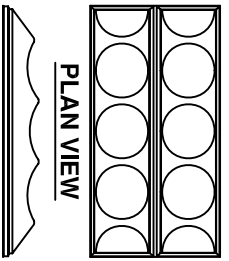
INTERNATIONAL SKYLIGHTS
800-325-4355



FRAME FINISH	MANUAL RELEASE OPTIONS
<input type="radio"/> MILL (UNFINISHED) <input type="radio"/> OTHER _____	<input type="radio"/> INTERIOR RELEASE <input type="radio"/> EXTERIOR RELEASE <input type="radio"/> NO MANUAL RELEASE

FUSIBLE LINK OPTIONS
<input type="radio"/> 165' UL/FM FUSIBLE LINK <input type="radio"/> 212' UL/FM FUSIBLE LINK <input type="radio"/> 286' UL/FM FUSIBLE LINK <input type="radio"/> 370' UL/FM FUSIBLE LINK

DOUBLE DOOR DOME GLAZING

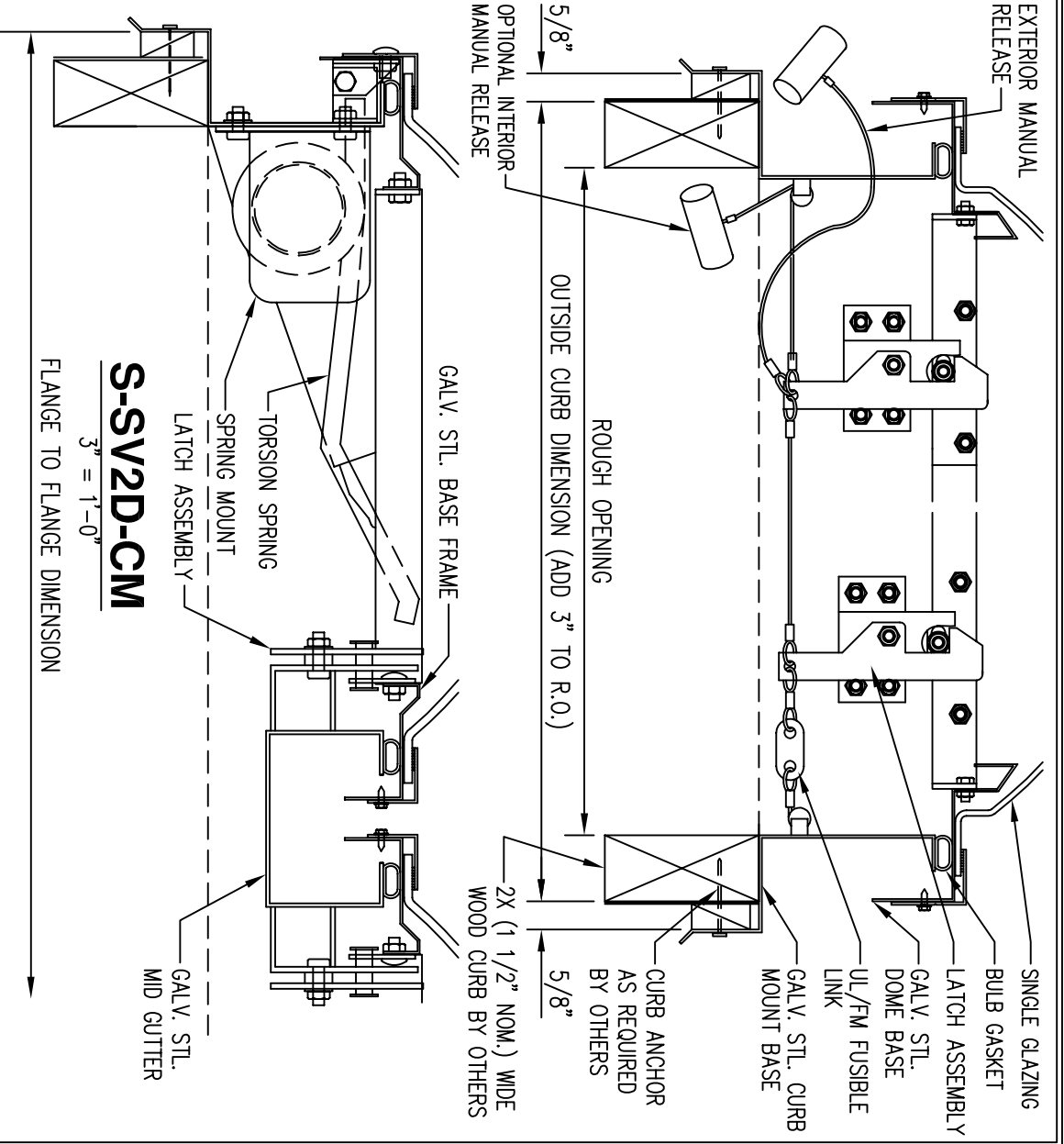


SINGLE DOME GLAZING OPTIONS

- SKY-ARC (SA)™ SKY TOUGH (ST)™ WHITE
- OTHER: _____

QTY.	MODEL	ROUGH OPENING	QTY.	MODEL	ROUGH OPENING
	SQUARE			RECTANGULAR	
4848	48" X 48"				
	RECTANGULAR				
4896	48" X 96"				

ICC ES RECOGNIZED 10 PSF



PROJECT :	REVISIONS
CUSTOMER :	△ _____
APPROVED BY :	△ _____
JOB NO. :	△ _____
DATE SUB. :	△ _____
DWG. BY: O.S.	DATE NEEDED OR SHIP BY:
STEEL ICC RECOGNIZED SMOKE VENT CURB MOUNTED SINGLE DOME	PAGE: 2.17 CAP