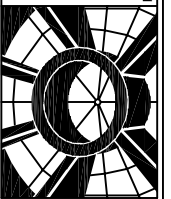


# ACRALIGHT™

INTERNATIONAL SKYLIGHTS  
800-325-4355



### FRAME FINISH

- MILL (UNFINISHED)
- OTHER \_\_\_\_\_

### MANUAL RELEASE OPTIONS

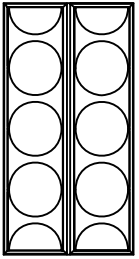
- INTERIOR RELEASE
- EXTERIOR RELEASE
- NO MANUAL RELEASE

### FUSIBLE LINK OPTIONS

- 165° UL/FM FUSIBLE LINK
- 212° UL/FM FUSIBLE LINK
- 286° UL/FM FUSIBLE LINK
- 370° UL/FM FUSIBLE LINK

### DOUBLE DOOR DOME GLAZING

#### SKY-ARC™



PLAN VIEW



SIDE ELEVATION



END ELEVATION

### SINGLE DOME GLAZING OPTIONS

- SKY-ARC (SA)™ SKY TOUGH (ST)™ WHITE
- OTHER: \_\_\_\_\_

QTY. MODEL ROUGH OPENING QTY. MODEL ROUGH OPENING

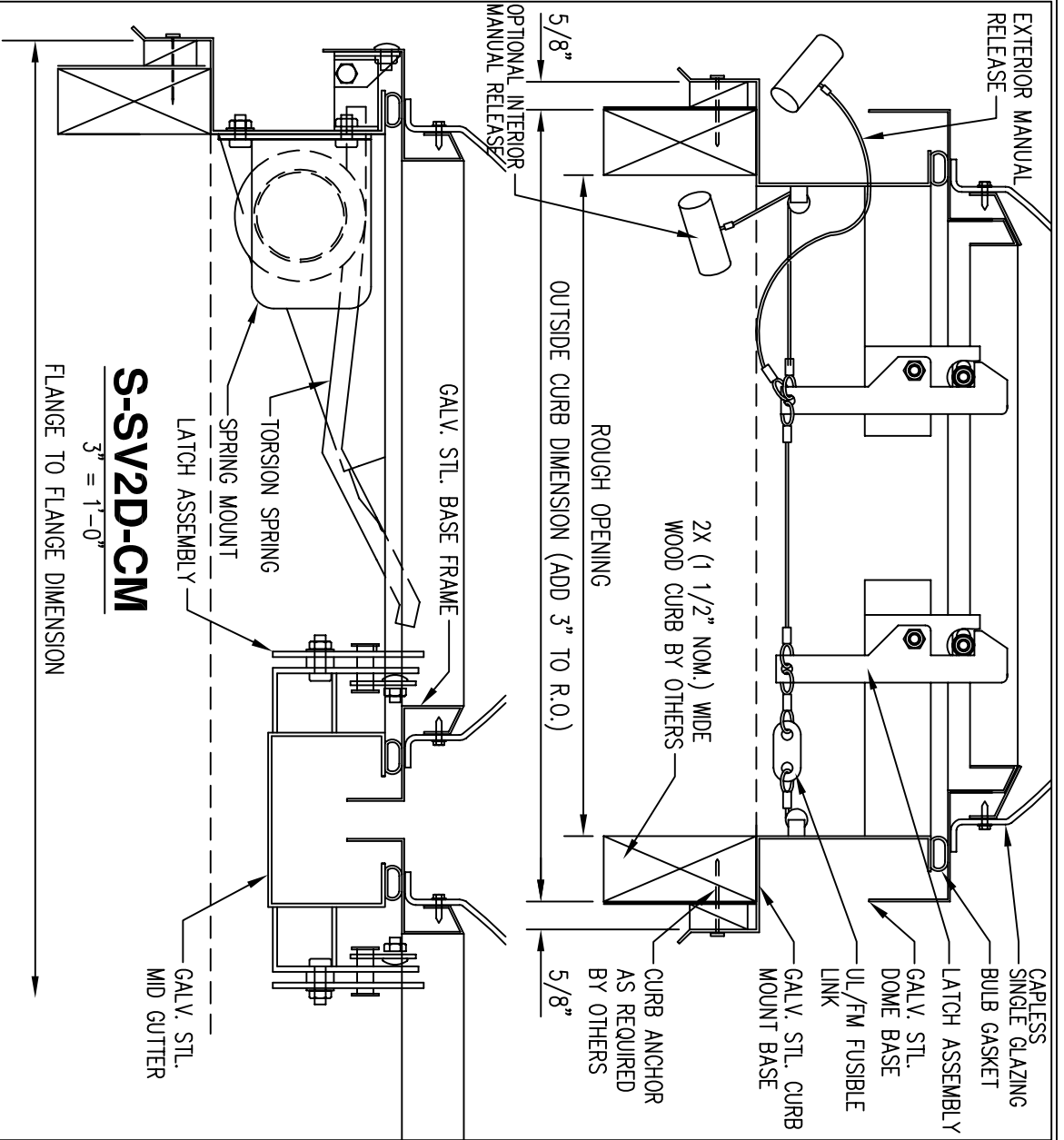
SQUARE RECTANGULAR

4848 48" X 48"

RECTANGULAR

4896 48" X 96"

**ICC ES RECOGNIZED 10 PSF**



## S-SV2D-CM

3" = 1'-0"

FLANGE TO FLANGE DIMENSION

PROJECT :

CUSTOMER :

APPROVED BY :

DATE:

### REVISIONS

△	_____
△	_____
△	_____

DATE SUB.:

JOB NO. :

DWG. BY: O.S.

DATE NEEDED OR SHIP BY:

STEEL DUAL LID SMOKE VENT CURB MOUNTED SINGLE DOME

PAGE: 2.17