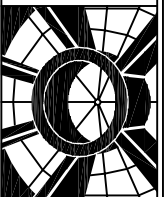


ACRALLIGHT™

INTERNATIONAL SKYLIGHTS

800-325-4355

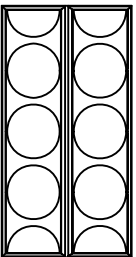


FRAME FINISH	MANUAL RELEASE OPTIONS
<input type="radio"/> MILL (UNFINISHED) <input type="radio"/> OTHER _____	<input type="radio"/> INTERIOR RELEASE <input type="radio"/> EXTERIOR RELEASE <input type="radio"/> NO MANUAL RELEASE

FUSIBLE LINK OPTIONS
<input type="radio"/> 165° UL/FM FUSIBLE LINK <input type="radio"/> 212° UL/FM FUSIBLE LINK <input type="radio"/> 286° UL/FM FUSIBLE LINK <input type="radio"/> 370° UL/FM FUSIBLE LINK

DOUBLE DOOR DOME GLAZING

SKY-ARC™



PLAN VIEW



SIDE ELEVATION



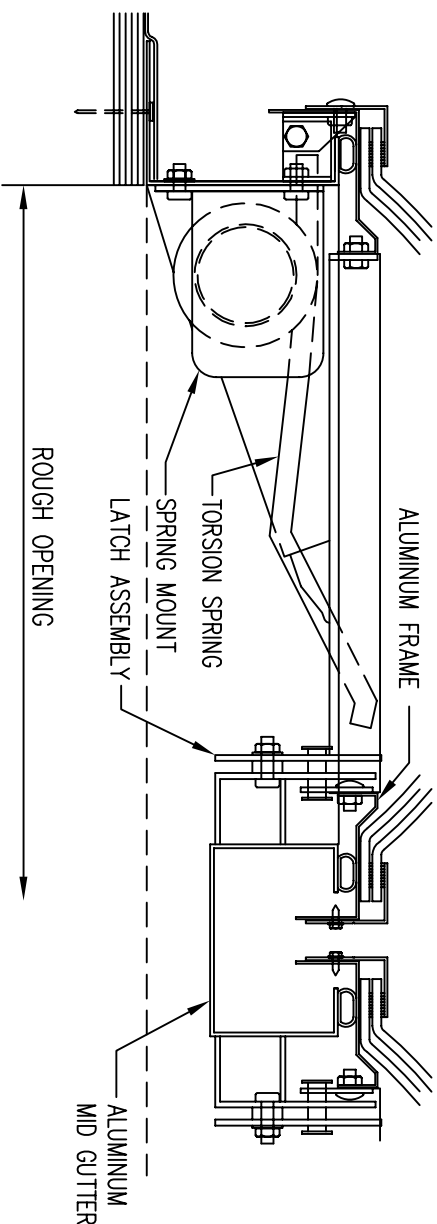
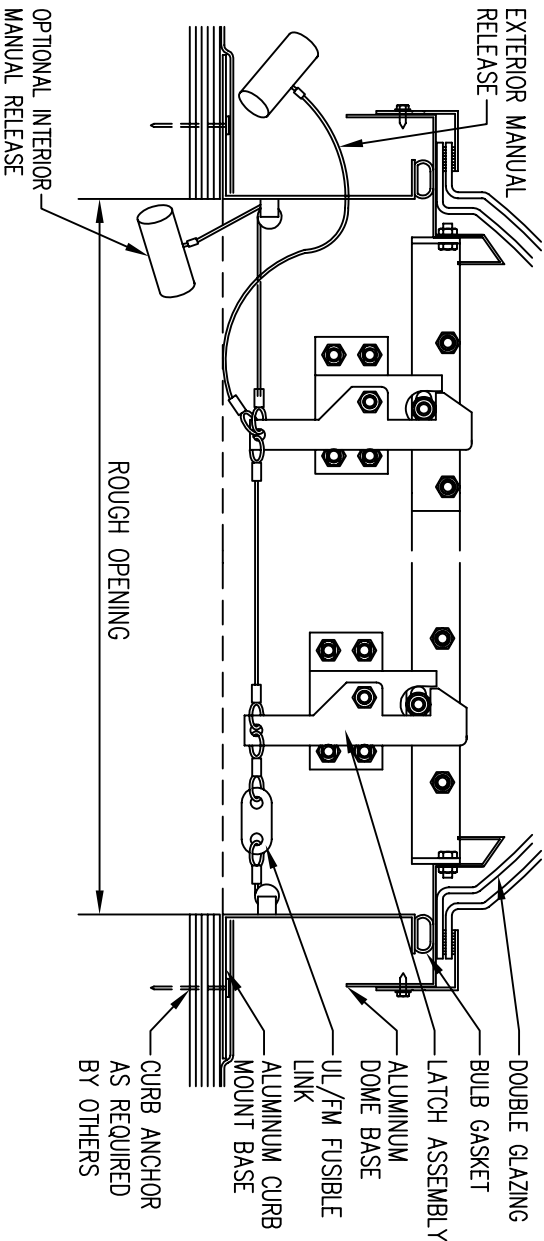
END ELEVATION

SKY-ARC™ DOUBLE GLAZING

- OUTER GLAZING
- SKY-ARC™ (SA) SKY TOUGH™ (ST) WHITE
- INNER GLAZING
- CLEAR COLORLESS

QTY.	MODEL	ROUGH OPENING	QTY.	MODEL	ROUGH OPENING
	SQUARE			RECTANGULAR	
4848	48" X 48"				
	RECTANGULAR				
4896	48" X 96"				

ICC ES RECOGNIZED 10 PSF



A-SV2D-SF

3" = 1'-0"

PROJECT :	REVISIONS
CUSTOMER :	△ _____
APPROVED BY :	△ _____
JOB NO. :	DATE:
DWG. BY : O.S.	DATE NEEDED OR SHIP BY:
DATE SUB. :	ALUMINUM ICC RECOGNIZED SMOKE VENT SELF FLASHING DOUBLE DOME
	PAGE: 2.16 CAP