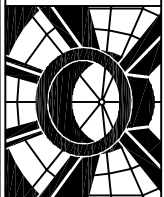


ACRALLIGHT™

INTERNATIONAL SKYLIGHTS
800-325-4355

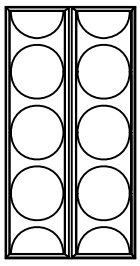


FRAME FINISH	MANUAL RELEASE OPTIONS
<input type="radio"/> MILL (UNFINISHED) <input type="radio"/> OTHER _____	<input type="radio"/> INTERIOR RELEASE <input type="radio"/> EXTERIOR RELEASE <input type="radio"/> NO MANUAL RELEASE

FUSIBLE LINK OPTIONS
<input type="radio"/> 165° UL/FM FUSIBLE LINK <input type="radio"/> 212° UL/FM FUSIBLE LINK <input type="radio"/> 286° UL/FM FUSIBLE LINK <input type="radio"/> 370° UL/FM FUSIBLE LINK

DOUBLE DOOR DOME GLAZING

SKY-ARC™

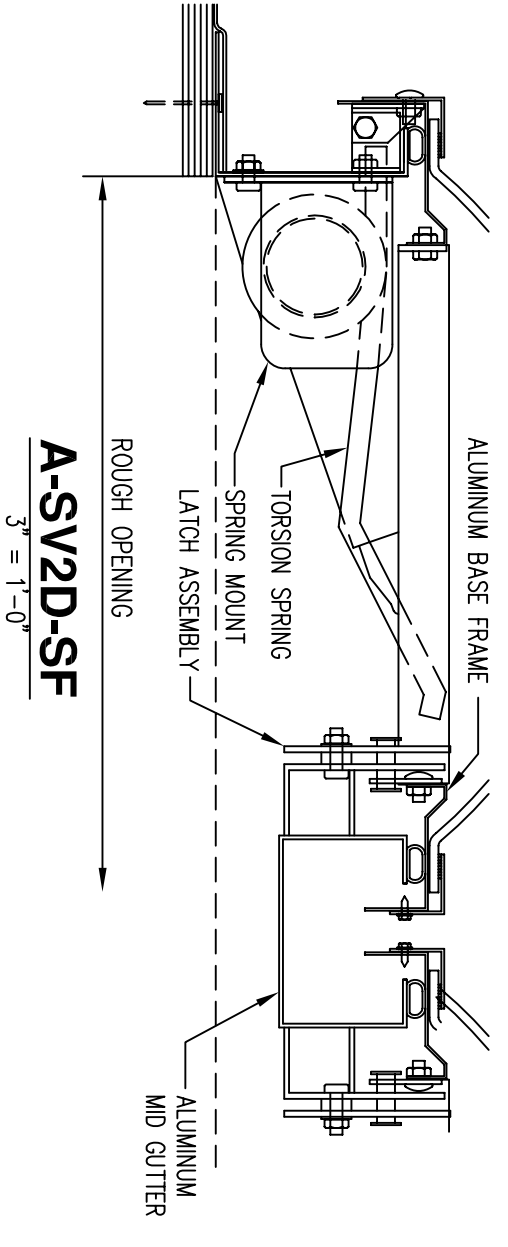
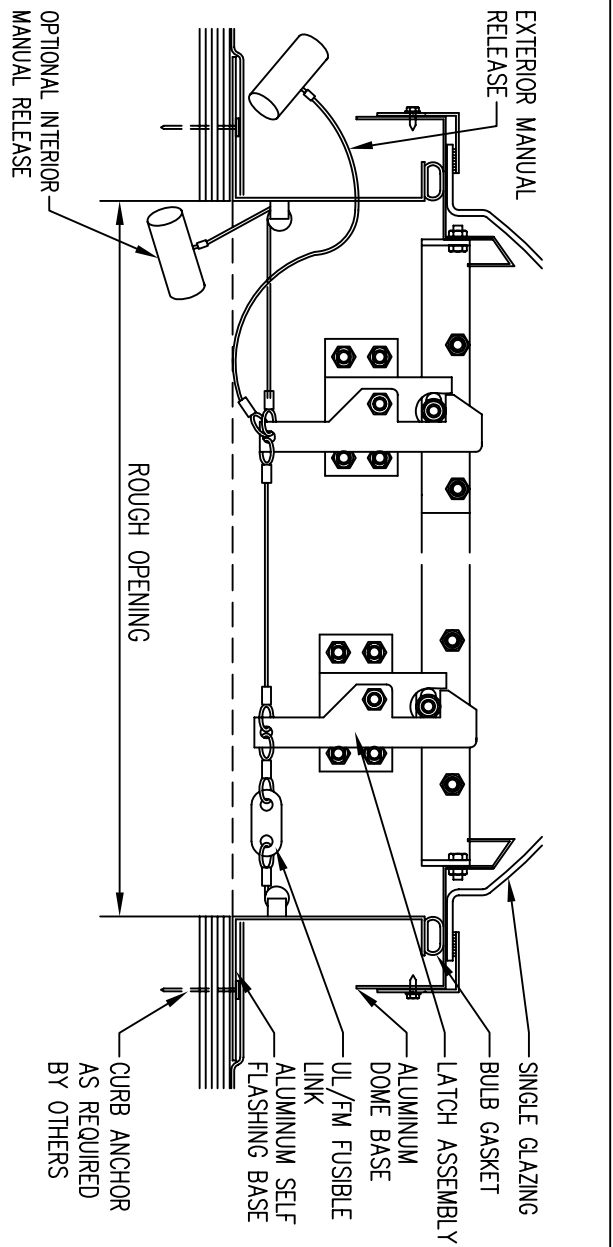


SINGLE DOME GLAZING OPTIONS

- SKY-ARC (SA)™ SKY TOUGH (ST)™ WHITE
- OTHER: _____

QTY.	MODEL	ROUGH OPENING	QTY.	MODEL	ROUGH OPENING
	SQUARE			RECTANGULAR	
4848	48" X 48"				
	RECTANGULAR				
4896	48" X 96"				

ICC ES RECOGNIZED 10 PSF



PROJECT :	REVISIONS
CUSTOMER :	△ _____
APPROVED BY:	△ _____
DATE:	△ _____
JOB NO. :	
DWG. BY: O.S.	
DATE NEEDED OR SHIP BY:	
DATE SUB.:	
ALUMINUM ICC RECOGNIZED SMOKE VENT SELF FLASHING SINGLE DOME	PAGE: 2.15 CAP