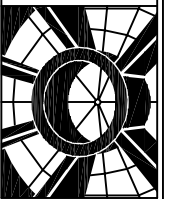


ACRALIGHT™

INTERNATIONAL SKYLIGHTS

800-325-4355



FRAME FINISH

- MILL (UNFINISHED)
- OTHER: _____

MANUAL RELEASE OPTIONS

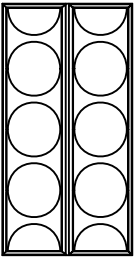
- INTERIOR RELEASE
- EXTERIOR RELEASE
- NO MANUAL RELEASE

FUSIBLE LINK OPTIONS

- 165° UL/FM FUSIBLE LINK
- 212° UL/FM FUSIBLE LINK
- 286° UL/FM FUSIBLE LINK
- 360° UL/FM FUSIBLE LINK

DOUBLE DOOR DOME GLAZING

SKY-ARC™



PLAN VIEW



SIDE ELEVATION



END ELEVATION

DOUBLE DOME GLAZING

OUTER GLAZING

- SKY-ARC (SA)™ SKY TOUGH (ST)™ WHITE INNER GLAZING
- CLEAR COLORLESS

QTY. MODEL ROUGH OPENING QTY. MODEL ROUGH OPENING

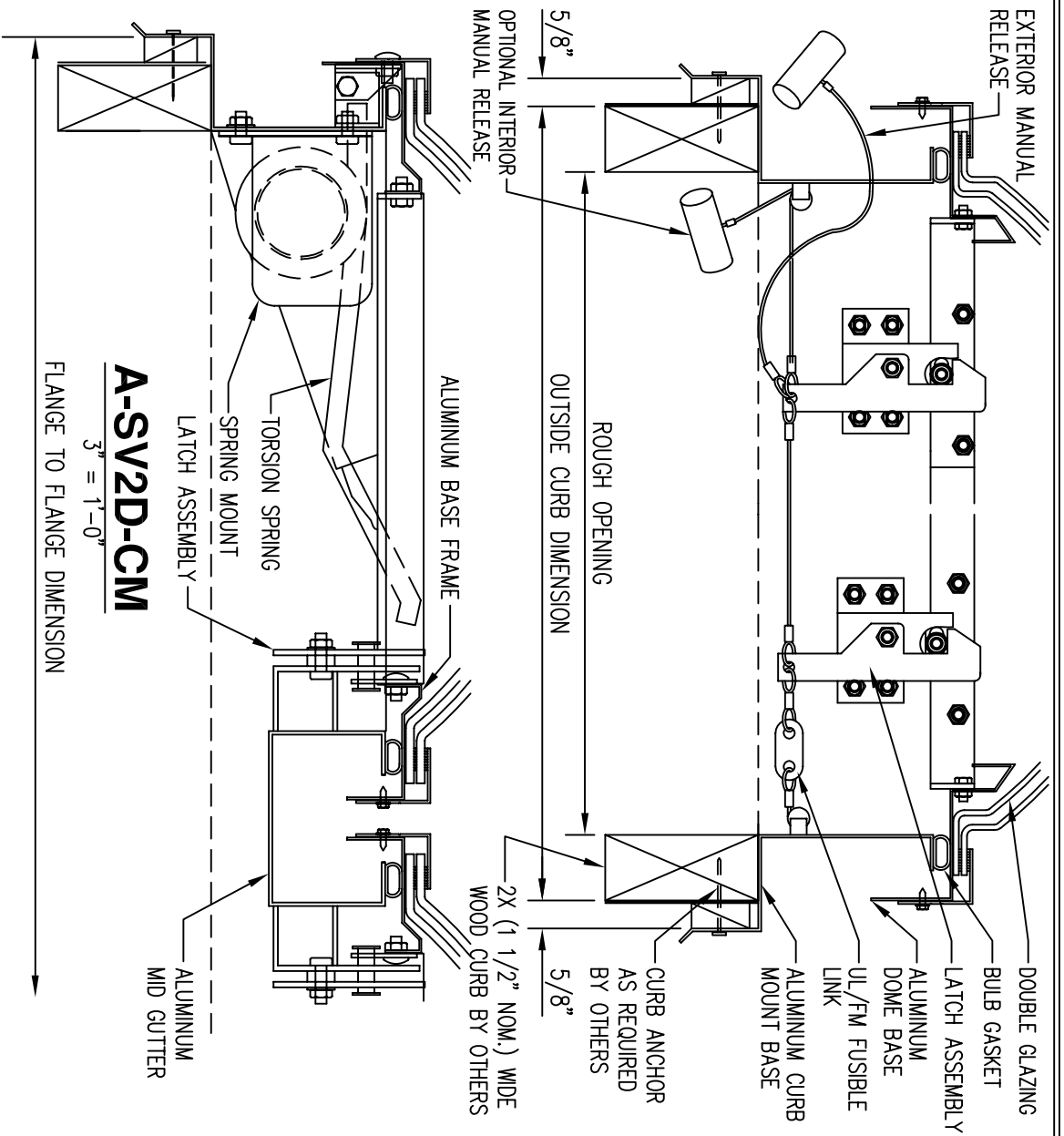
SQUARE RECTANGULAR

4848 48" X 48"

RECTANGULAR

4896 48" X 96"

ICC ES RECOGNIZED 10 PSF



A-SV2D-CM

3" = 1'-0"

FLANGE TO FLANGE DIMENSION

PROJECT :

CUSTOMER :

APPROVED BY:

DATE:

JOB NO. :

DWG. BY : O.S.

DATE NEEDED OR SHIP BY:

DATE SUB.:

ALUMINUM ICC RECOGNIZED SMOKE VENT CURB MOUNTED DOUBLE DOME

REVISIONS

△	_____
△	_____
△	_____

PAGE: 2.14 CAP