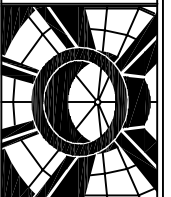


ACRALIGHT™

INTERNATIONAL SKYLIGHTS
800-325-4355



FRAME FINISH

- MILL (UNFINISHED)
- OTHER _____

MANUAL RELEASE OPTIONS

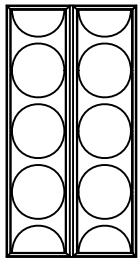
- INTERIOR RELEASE
- EXTERIOR RELEASE
- NO MANUAL RELEASE

FUSIBLE LINK OPTIONS

- 165° UL/FM FUSIBLE LINK
- 212° UL/FM FUSIBLE LINK
- 286° UL/FM FUSIBLE LINK
- 370° UL/FM FUSIBLE LINK

DOUBLE DOOR DOME GLAZING

SKY-ARC™



PLAN VIEW



SIDE ELEVATION



END ELEVATION

SINGLE DOME GLAZING OPTIONS

- SKY-ARC (SA)™ SKY TOUGH (ST)™ WHITE
- OTHER: _____

QTY: MODEL ROUGH OPENING QTY: MODEL ROUGH OPENING

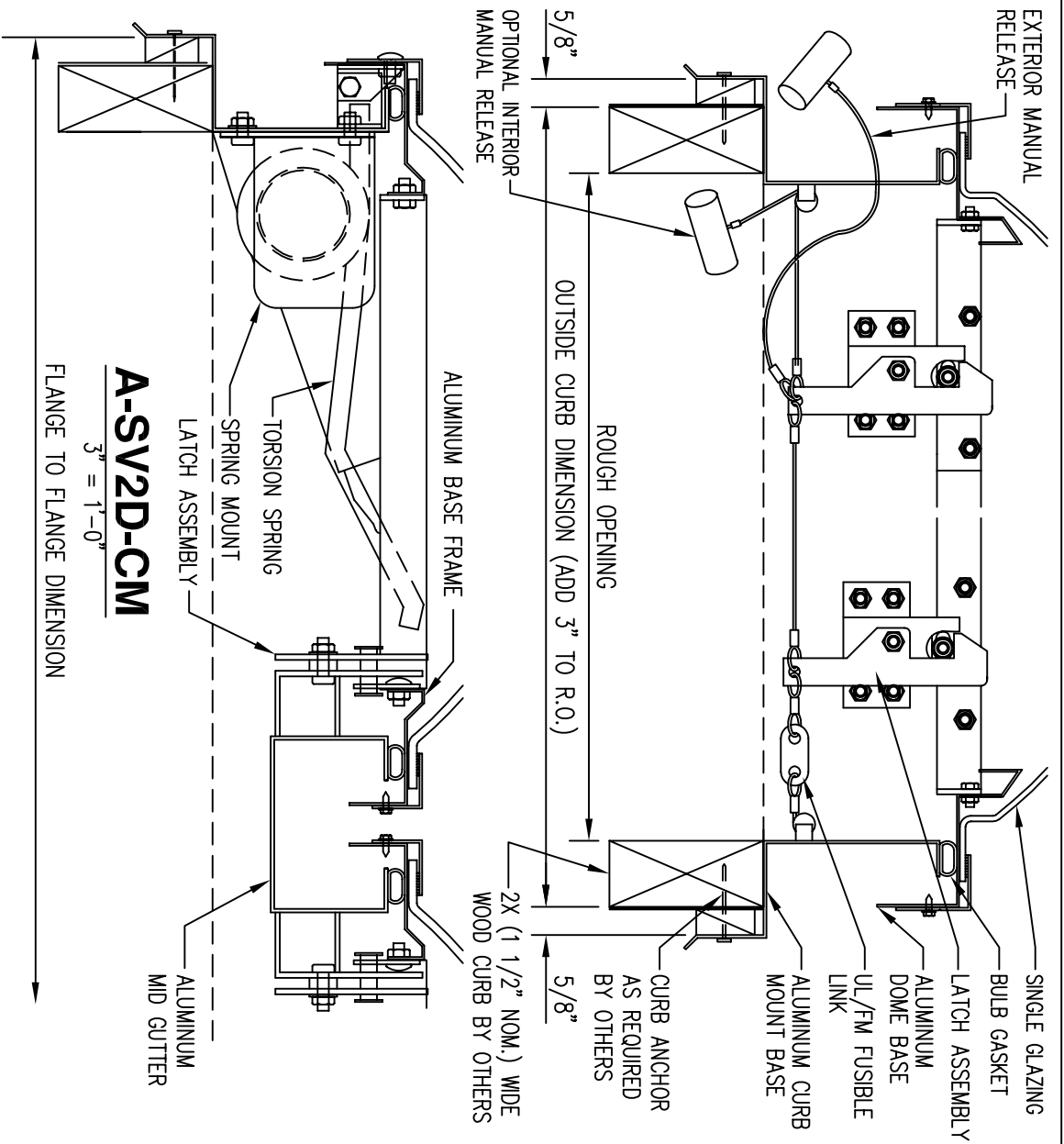
SQUARE RECTANGULAR

48x48 48" X 48"

RECTANGULAR

48x96 48" X 96"

ICC ES RECOGNIZED 10 PSF



A-SV2D-CM

3" = 1'-0"

FLANGE TO FLANGE DIMENSION

PROJECT :

CUSTOMER :

APPROVED BY:

JOB NO. :

DATE SUB.:

REVISIONS

NO.	DESCRIPTION

DWG. BY: O.S.

DATE NEEDED OR SHIP BY:

ALUMINUM ICC RECOGNIZED SMOKE VENT CURB MOUNTED SINGLE DOME

PAGE: 2.13 CAP