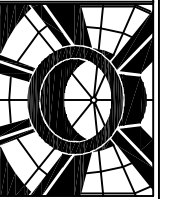


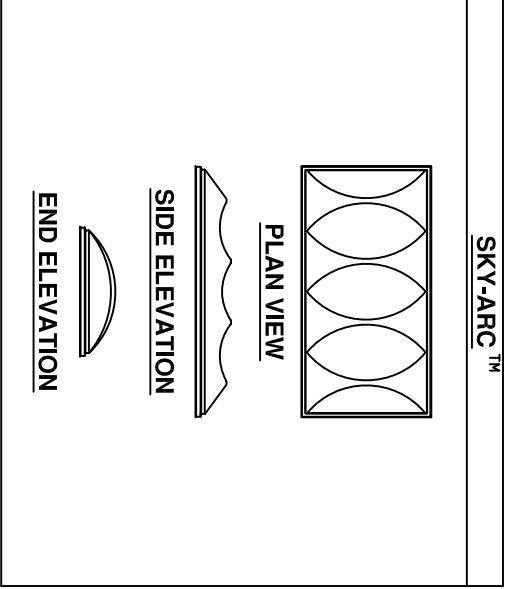
ACRALIGHT™

INTERNATIONAL SKYLIGHTS
800-325-4355



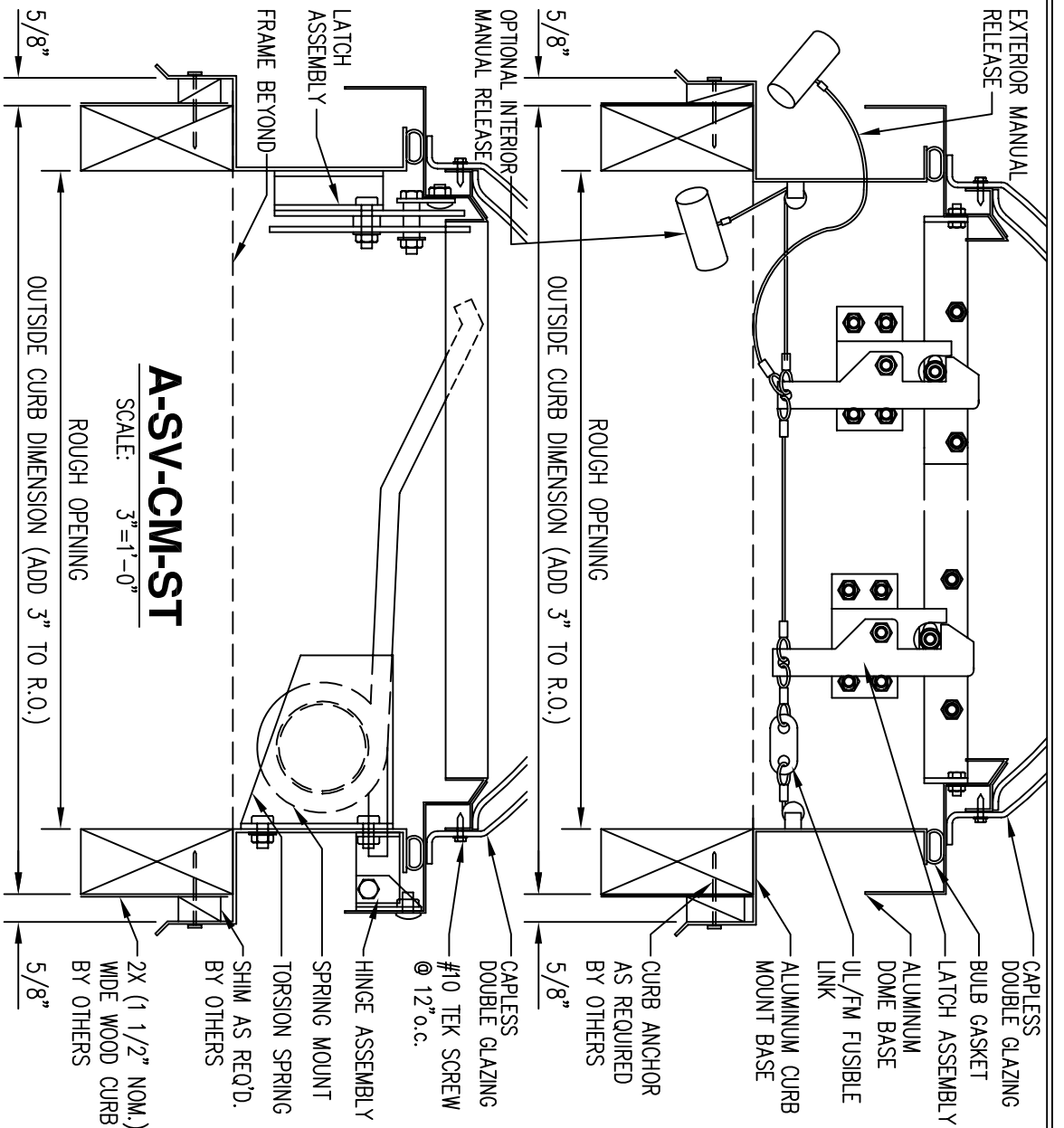
FRAME FINISH	MANUAL RELEASE OPTION
<input type="radio"/> MILL (UNFINISHED) <input type="radio"/> OTHER _____	<input type="radio"/> INTERIOR RELEASE <input type="radio"/> EXTERIOR RELEASE <input type="radio"/> NO MANUAL RELEASE

FUSIBLE LINK OPTION
<input type="radio"/> 165° UL/FM FUSIBLE LINK <input type="radio"/> 212° UL/FM FUSIBLE LINK <input type="radio"/> 286° UL/FM FUSIBLE LINK <input type="radio"/> 370° UL/FM FUSIBLE LINK



- SKY-ARC™ DOUBLE GLAZING**
- OUTER GLAZING**
- SKY-ARC™ (SA) SKY TOUGH™ (ST) WHITE
- INNER GLAZING**
- CLEAR COLORLESS DOME (AC)

QTY.	MODEL	ROUGH OPENING	QTY.	MODEL	ROUGH OPENING
	SQUARE			RECTANGULAR	
4848	48" X 48"		4669	46 1/4" X 69 1/2"	
	RECTANGULAR		4689	46 1/4" X 89 1/2"	
3775	37" X 75"		4896	48" X 96"	



A-SV-CM-ST

SCALE: 3"=1'-0"

ROUGH OPENING

OUTSIDE CURB DIMENSION (ADD 3" TO R.O.)

PROJECT: _____

CUSTOMER: _____

APPROVED BY: _____

DATE: _____

JOB NO.: _____ **DWG. BY:** O.S. **DATE NEEDED OR SHIP BY:** _____

DATE SUB.: _____ **ALUMINUM SINGLE LID SMOKE VENT CURB MOUNTED DOUBLE DOME**

REVISIONS
△ _____
△ _____
△ _____

PAGE: 2.02