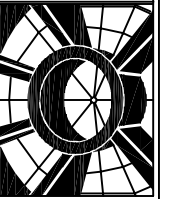


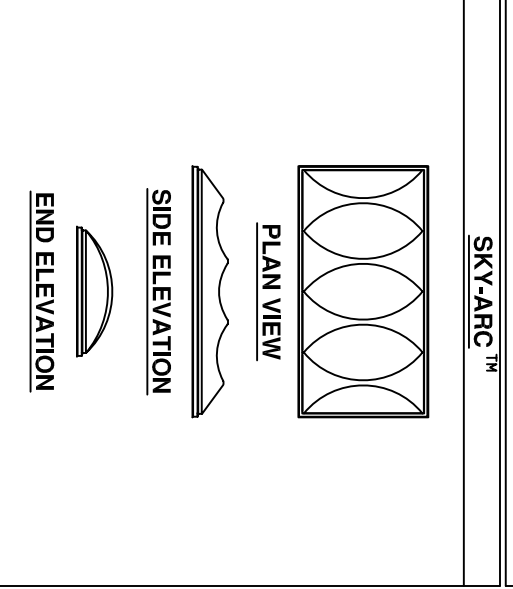
# ACRALIGHT™

INTERNATIONAL SKYLIGHTS  
800-325-4355



FRAME FINISH	MANUAL RELEASE OPTION
<input type="radio"/> MILL (UNFINISHED) <input type="radio"/> OTHER _____	<input type="radio"/> INTERIOR RELEASE <input type="radio"/> EXTERIOR RELEASE <input type="radio"/> NO MANUAL RELEASE

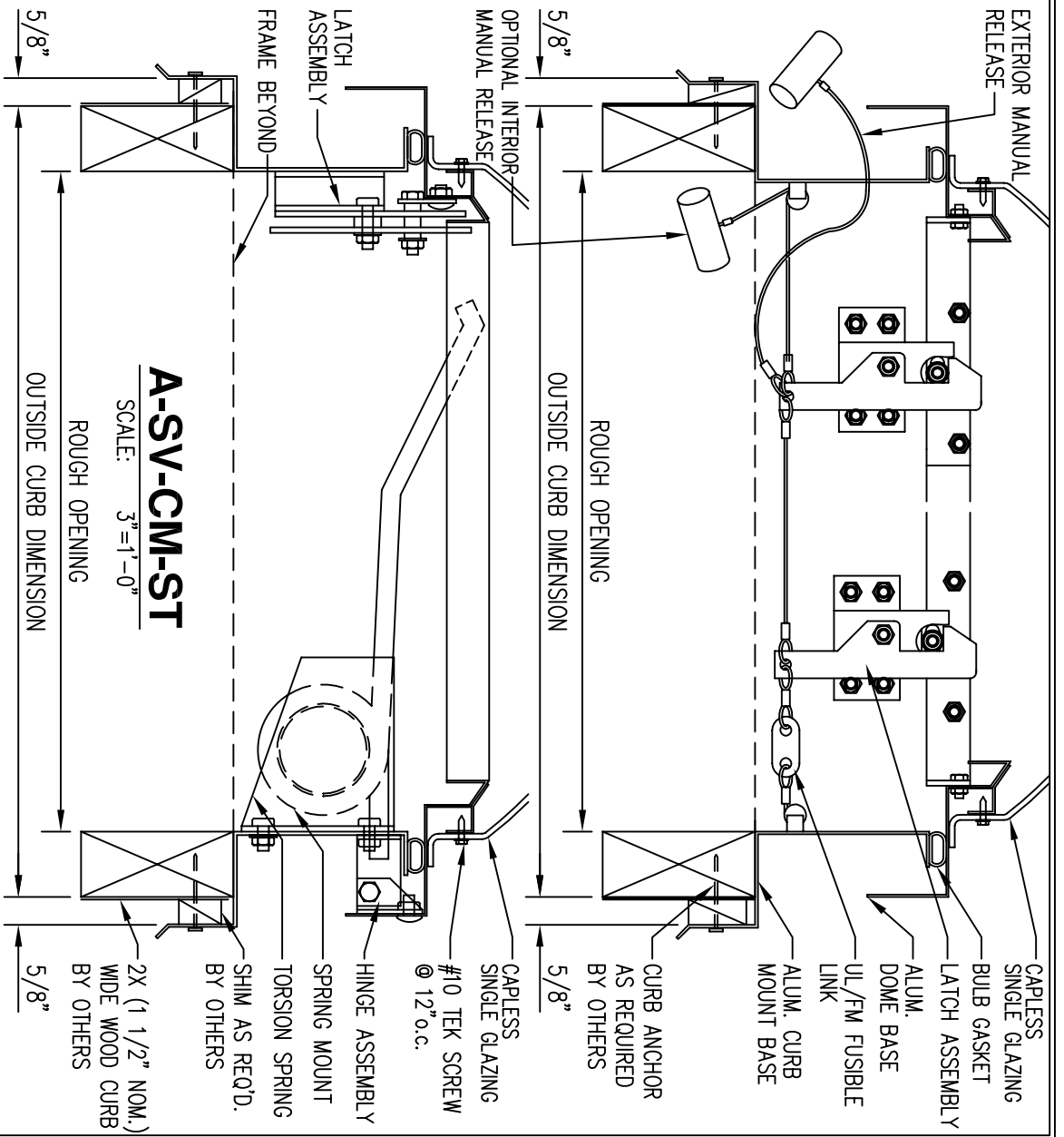
FUSIBLE LINK OPTION
<input type="radio"/> 165° UL/FM FUSIBLE LINK <input type="radio"/> 212° UL/FM FUSIBLE LINK <input type="radio"/> 286° UL/FM FUSIBLE LINK <input type="radio"/> 370° UL/FM FUSIBLE LINK



**SKY-ARC™ SINGLE GLAZING**

SKY-ARC™ (SA) SKY TOUGH™ (ST) WHITE

QTY.	MODEL	ROUGH OPENING	QTY.	MODEL	ROUGH OPENING
	SQUARE			RECTANGULAR	
4848	48" X 48"		4669	46 1/4" X 69 1/2"	
	RECTANGULAR		4689	46 1/4" X 89 1/2"	
3775	37" X 75"		4896	48" X 96"	



**PROJECT :** \_\_\_\_\_

**CUSTOMER :** \_\_\_\_\_

**APPROVED BY :** \_\_\_\_\_

**DATE :** \_\_\_\_\_

**JOB NO. :** \_\_\_\_\_

**DATE NEEDED OR SHIP BY :** \_\_\_\_\_

**DATE SUB. :** \_\_\_\_\_

**DWG BY :** O.S.

**ALUMINUM SINGLE LID SMOKE VENT CURB MOUNTED SINGLE DOME**

**REVISIONS**

△	_____
△	_____
△	_____

**PAGE: 2.01**