

FRAME FINISH

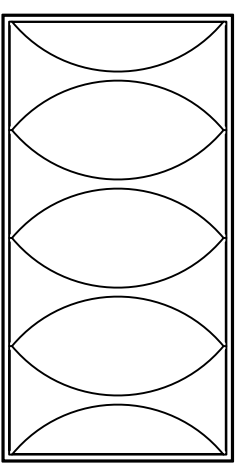
- MILL (UNFINISHED)
- OTHER _____

SKY-ARC™ DOUBLE GLAZING

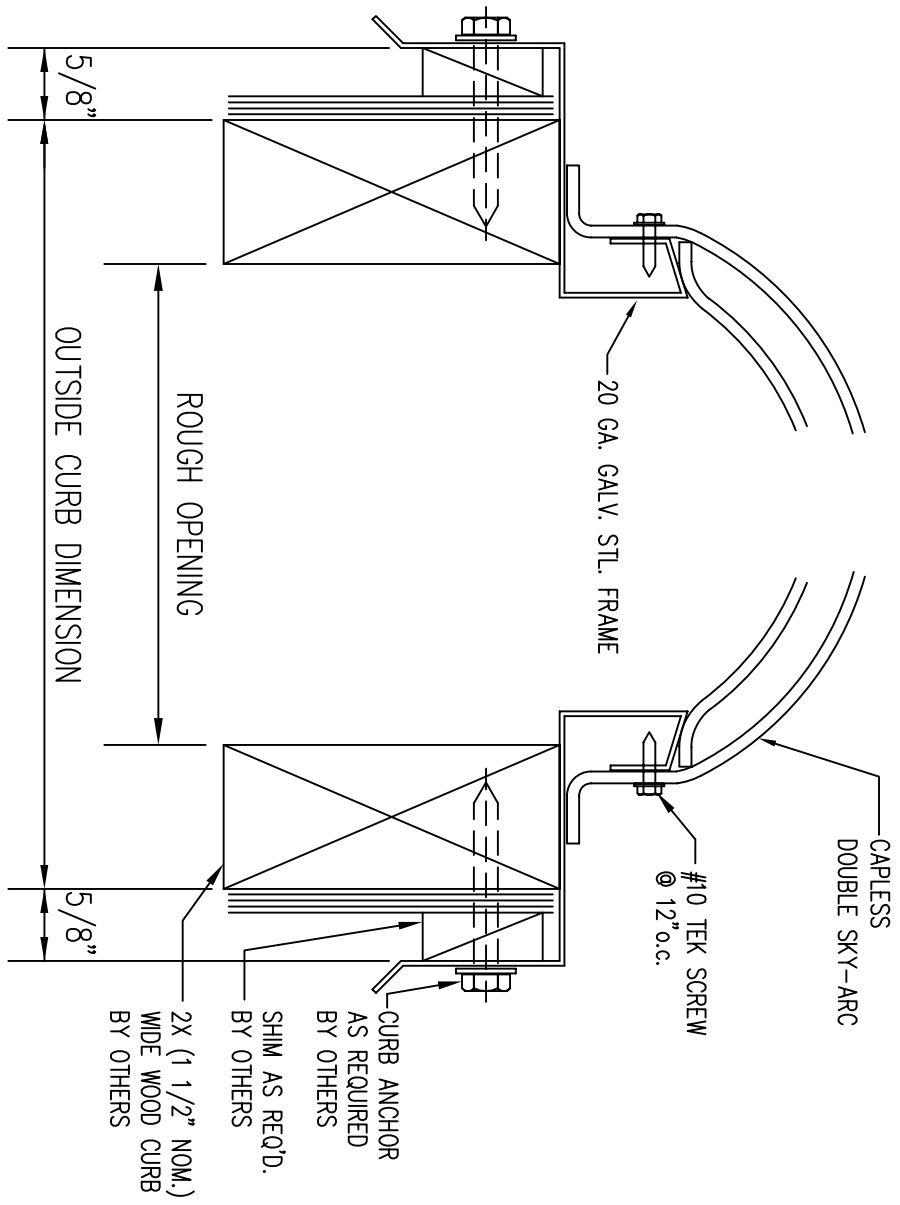
OUTER GLAZING

- SKY-ARC™ (SA), SKY TOUGH (ST)™ WHITE
INNER GLAZING
- CLEAR COLORLESS (AC)

SKY-ARC™



QTY.	MODEL	ROUGH OPENING	QTY.	MODEL	ROUGH OPENING
		SQUARE			RECTANGULAR
4646	46 1/4"	X 46 1/4"	4896	48"	X 96"
4848	48"	X 48"	6096	60"	X 96"



S-CM-ST
SCALE: 6" = 1'-0"

PROJECT :		REVISIONS
CUSTOMER :		△ _____
APPROVED BY:		△ _____
DATE:		△ _____
JOB NO. :	DWG. BY O.S.	DATE NEEDED OR SHIP BY:
DATE SUB.:	GALVANIZED STEEL SKY ARC SKY TOUGH CURB MOUNTED DOUBLE DOME SKYLIGHT	PAGE: 1.28