

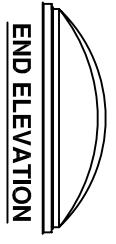
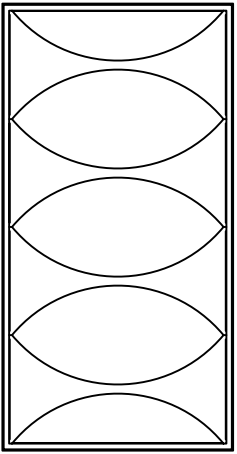
FRAME FINISH

MILL (UNFINISHED)
 OTHER _____

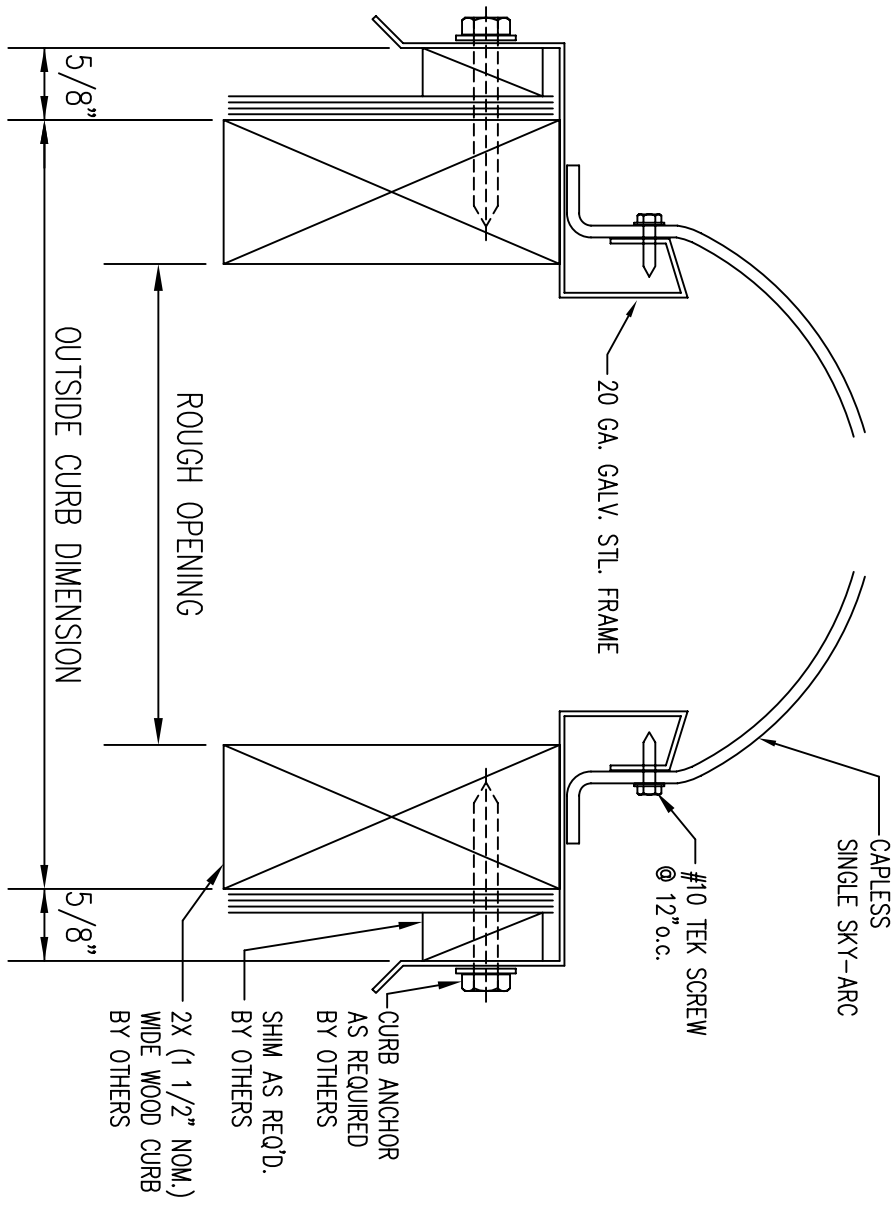
SINGLE SKY-ARC™ GLAZING

SKY-ARC™ (SA), SKY TOUGH™ (ST) WHITE
 OTHER _____

SKY-ARC™



QTY.	MODEL	ROUGH OPENING	QTY.	MODEL	ROUGH OPENING
		SQUARE			RECTANGULAR
4646	46 1/4"	X 46 1/4"	4896	48"	X 96"
4848	48"	X 48"	6096	60"	X 96"



S-S-CM-ST

SCALE: 6" = 1'-0"

PROJECT : _____

CUSTOMER : _____

APPROVED BY: _____

DATE: _____

DATE SUB.: _____

DATE NEEDED OR SHIP BY: _____

DWG. BY: O.S. **GALVANIZED STEEL SKY ARC SKY TOUGH CURB MOUNTED SINGLE DOME SKYLIGHT**

REVISIONS

NO.	DESCRIPTION
△	_____
△	_____
△	_____