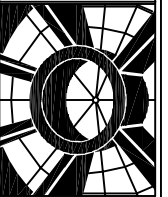


# ACRALIGHT™

INTERNATIONAL SKYLIGHTS  
800-325-4355



## FRAME FINISH

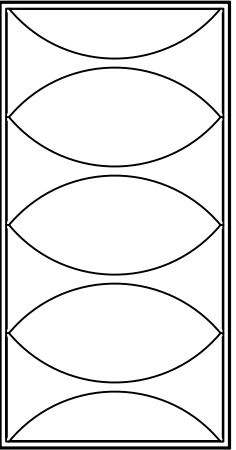
- MILL (UNFINISHED)
- OTHER \_\_\_\_\_

## SKY-ARC™ DOUBLE GLAZING

### OUTER GLAZING

- SKY-ARC™ (SA), SKY TOUGH (ST)™ WHITE  
INNER GLAZING
- CLEAR COLORLESS (AC)

## SKY-ARC™



PLAN VIEW

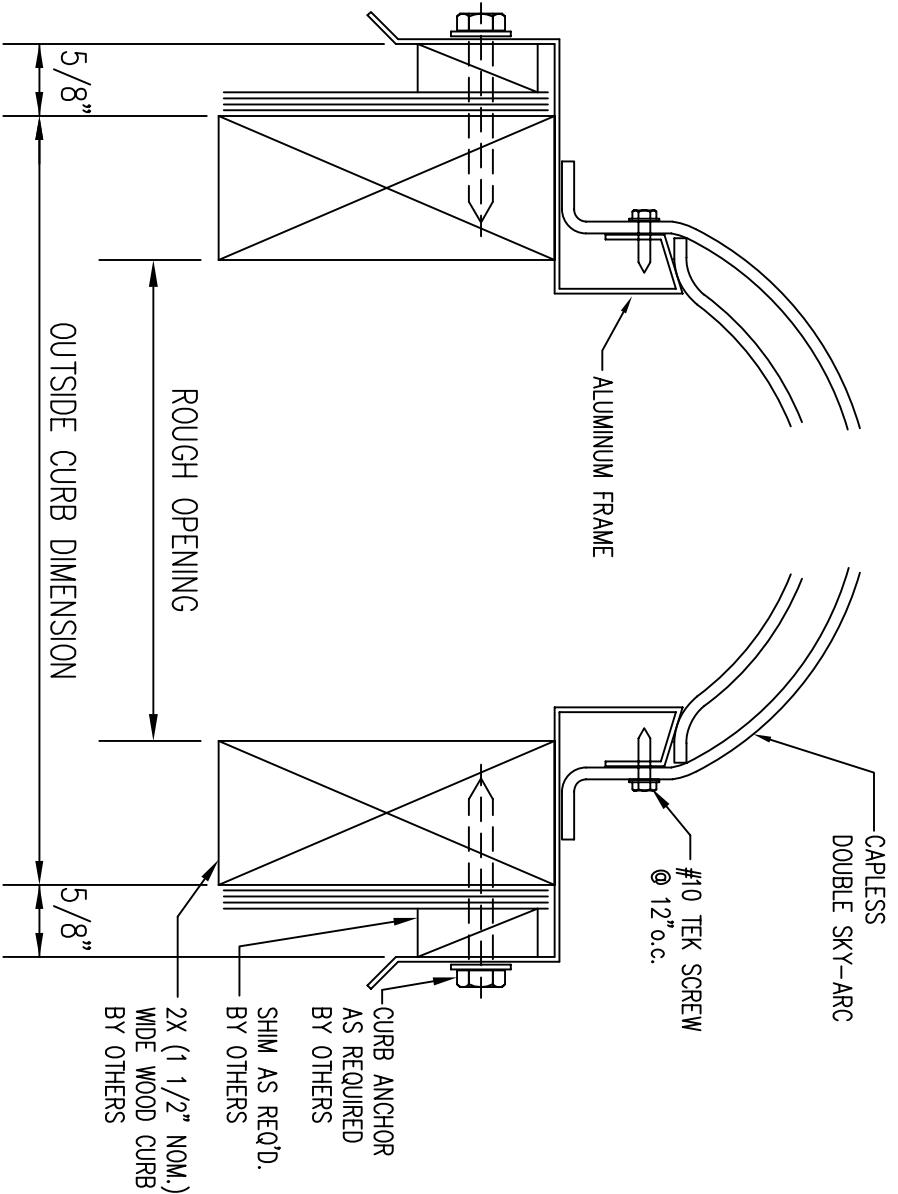


SIDE ELEVATION



END ELEVATION

QTY.	MODEL	ROUGH OPENING	QTY.	MODEL	ROUGH OPENING
		SQUARE			RECTANGULAR
4646	46 1/4"	X 46 1/4"	4896	48"	X 96"
4848	48"	X 48"	6096	60"	X 96"



## A-CM-ST

SCALE: 6" = 1'-0"

PROJECT :

CUSTOMER :

APPROVED BY:

DATE:

JOB NO. : DWG. BY O.S.

DATE NEEDED OR SHIP BY:

DATE SUB.:

ALUMINUM SKY ARC SKY TOUGH CURB MOUNTED DOUBLE SKYLIGHT

## REVISIONS

NO.	DESCRIPTION
△	_____
△	_____
△	_____