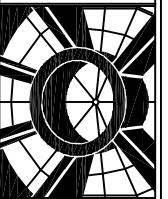


ACRALIGHT™

INTERNATIONAL SKYLIGHTS
800-325-4355



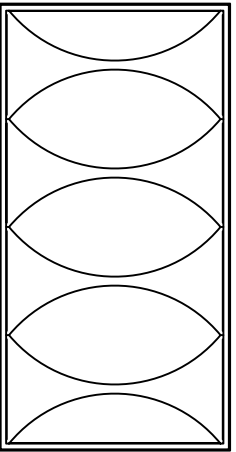
FRAME FINISH

- MILL (UNFINISHED)
- OTHER _____

SINGLE SKY-ARC™ GLAZING

- SKY-ARC™ (SA), SKY TOUGH™ (ST) WHITE
- OTHER _____

SKY-ARC™



PLAN VIEW

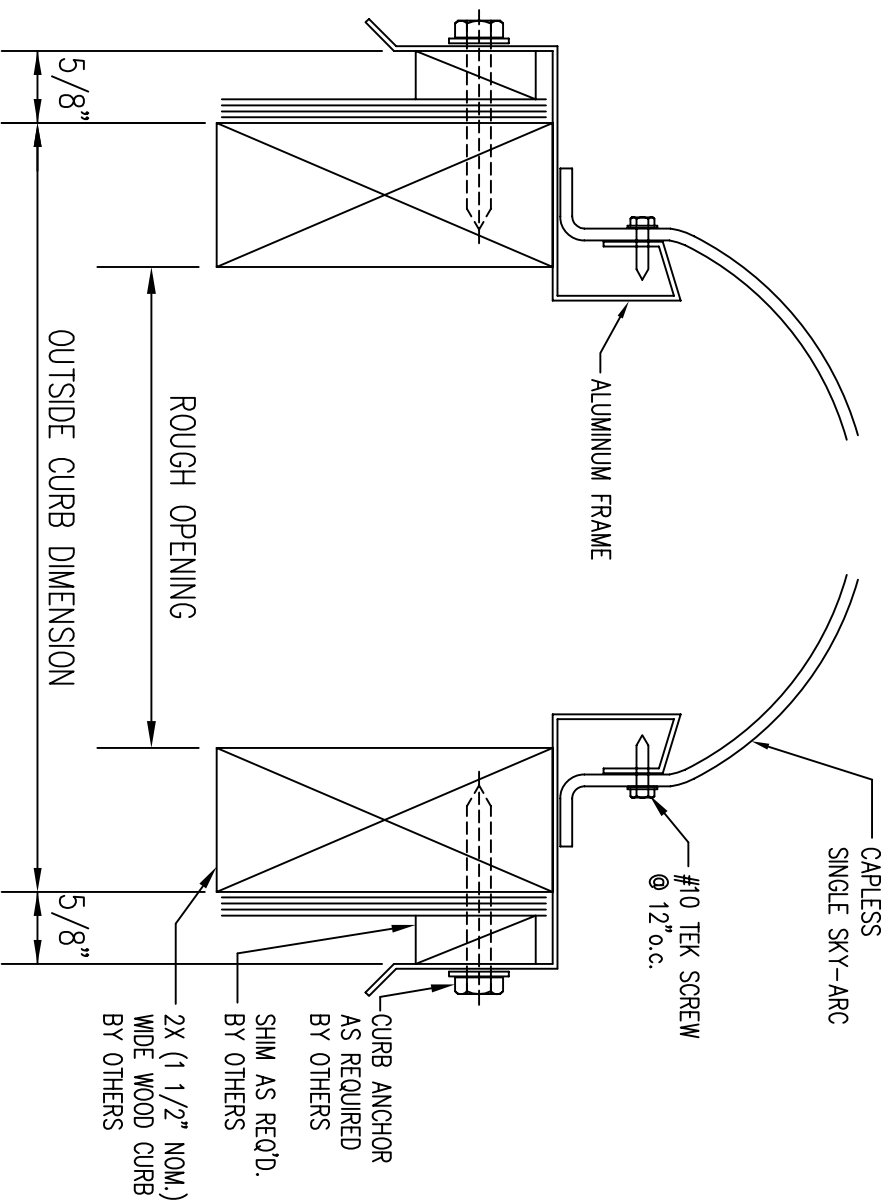


SIDE ELEVATION



END ELEVATION

QTY.	MODEL	ROUGH OPENING	QTY.	MODEL	ROUGH OPENING
		SQUARE			RECTANGULAR
4646	46 1/4"	46 1/4" X 46 1/4"	4896	48"	48" X 96"
4848	48"	48" X 48"	6096	60"	60" X 96"



A-CM-ST

SCALE: 6" = 1'-0"

PROJECT :

CUSTOMER :

APPROVED BY :

JOB NO. : DWG. BY: O.S.

DATE SUB. :

REVISIONS

NO.	DATE	DESCRIPTION
△	_____	_____
△	_____	_____
△	_____	_____