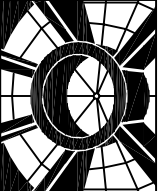


ACRALIGHT™

INTERNATIONAL SKYLIGHTS
800-325-4355



FRAME FINISH

- BRONZE ANODIZE
- CLEAR ANODIZE
- MILL (UNFINISHED)
- PAINT (BRONZE, WHITE, OR
CUSTOM COLOR: _____)

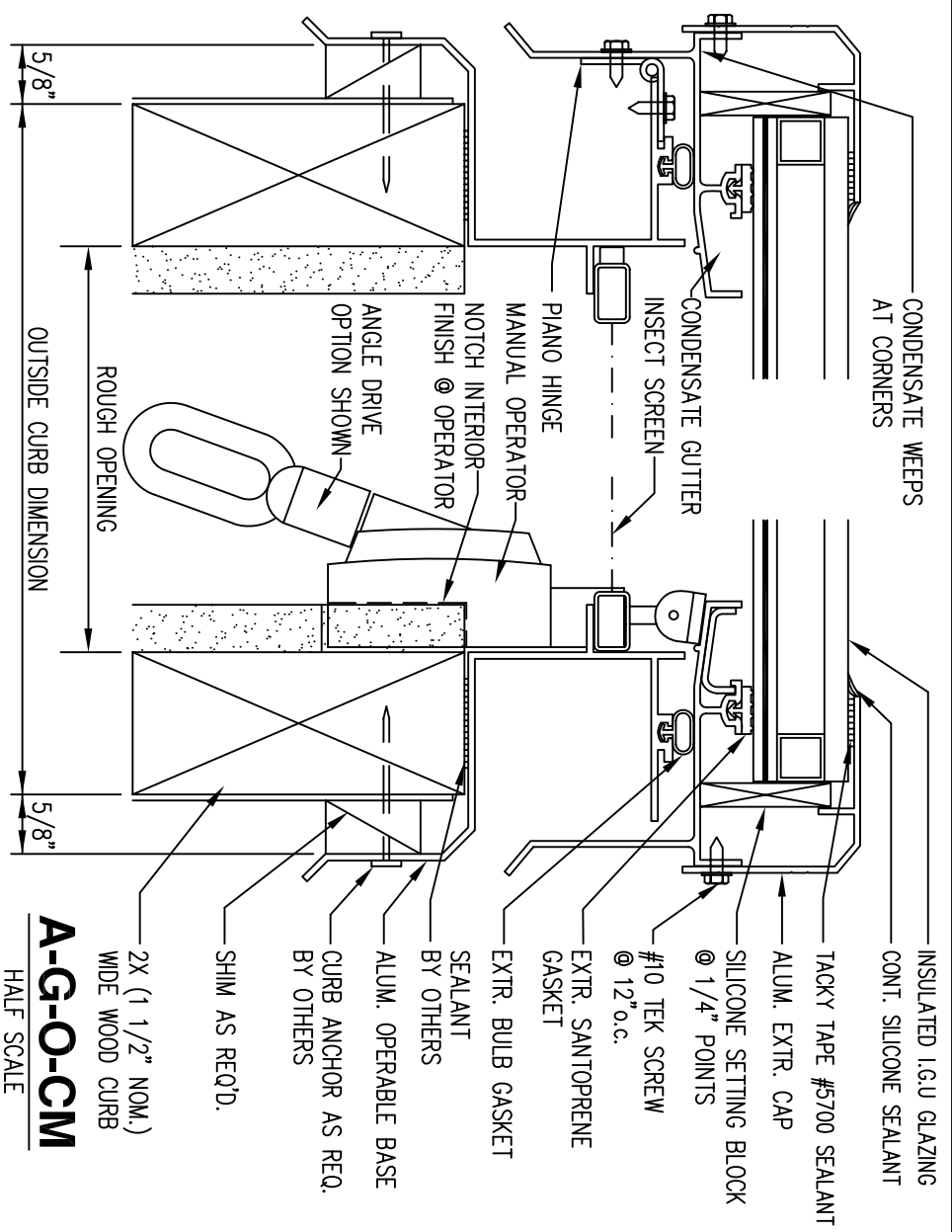
1" INSULATING GLAZING PANEL (I.G.U.)

- | | |
|----------------------------------------|--------------------------------------|
| <input type="radio"/> OUTBOARD LITE | <input type="radio"/> INBOARD LITE |
| <input type="radio"/> CLEAR TEMP. | <input type="radio"/> CLEAR LAMINATE |
| <input type="radio"/> BRONZE TEMP. | <input type="radio"/> WHITE LAMINATE |
| <input type="radio"/> GRAY TEMP. | <input type="radio"/> OTHER: _____ |
| <input type="radio"/> LOW-E COATING #2 | <input type="radio"/> LAMINATE |
| <input type="radio"/> OTHER: _____ | |

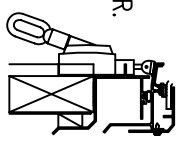
QTY.	MODEL	ROUGH OPENING	QTY.	MODEL	ROUGH OPENING
	SQUARE			RECTANGULAR	
	1414	14 1/4" X 14 1/4"		2230	22 1/4" X 30 1/4"
	1919	19" X 19"		2237	22 1/4" X 37"
	2222	22 1/4" X 22 1/4"		2246	22 1/4" X 46 1/4"
	3030	30 1/4" X 30 1/4"		2272	22 1/4" X 72"
	3636	36" X 36"		2296	22 1/4" X 96"
	4242	42" X 42"		3037	30 1/4" X 37"
	4646	46 1/4" X 46 1/4"		3046	30 1/4" X 46 1/4"
	CUSTOM SIZE I.D. FLANGE			CUSTOM SIZE O.D. CURB	

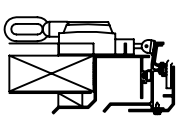
NOTE:

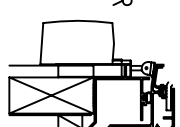
- 1.) FIRST CURB DIMENSION DENOTES HINGE SIDE
- 2.) LARGER SIZES AVAILABLE WITH DUAL SPINDLE DRIVES
- 3.) MINIMUM 2/12 PITCH REQUIRED ON GLASS UNITS
- 4.) GLASS THICKNESS MAY CHANGE ON LARGER SIZED SKYLIGHTS



DRIVE OPTION

ANGLE DR. 

STRAIGHT DR. 

ELECTRIC MOTOR (HS MOTOR) 

PROJECT : _____

CUSTOMER : _____

APPROVED BY: _____ **DATE:** _____

JOB NO. : _____ **DWG. BY: O.S.** **DATE NEEDED OR SHIP BY:** _____

DATE SUB. : _____ **OPERABLE INSULATED I.G.U. GLASS CURB MOUNT SKYLIGHT** **PAGE: 1-14 A**

REVISIONS

△	_____
△	_____
△	_____