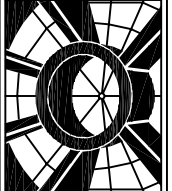


ACRALIGHT™

INTERNATIONAL SKYLIGHTS
800-325-4355



FRAME FINISH

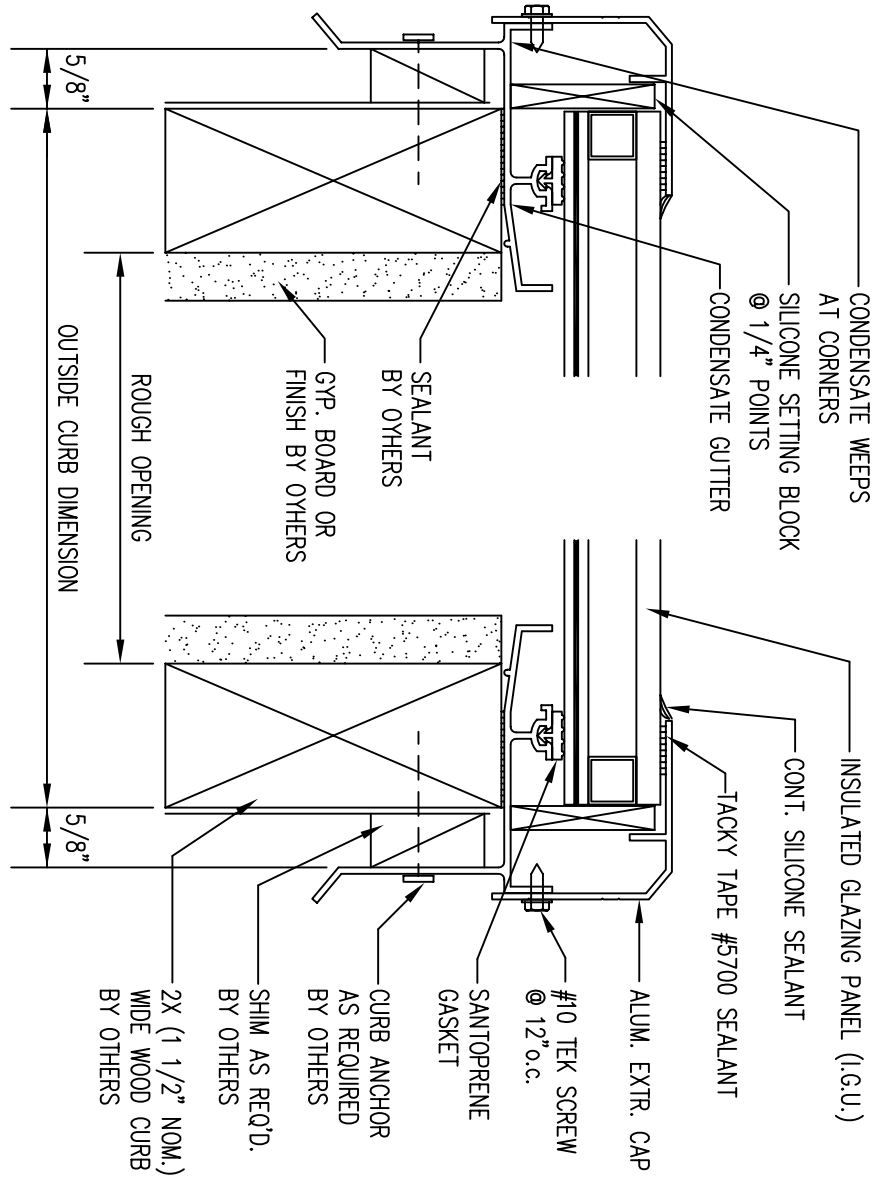
- BRONZE ANODIZE
- CLEAR ANODIZE
- MILL (UNFINISHED)
- PAINT (BRONZE, WHITE, OR _____)
- CUSTOM COLOR: _____

1" INSULATED GLAZING PANEL (I.G.U.)

- | | |
|--|---------------------------------------|
| OUTBOARD LITE | INBOARD LITE |
| <input type="radio"/> CLEAR TEMP. | <input type="radio"/> CLEAR LAMINATED |
| <input type="radio"/> BRONZE TEMP. | <input type="radio"/> WHITE LAMINATED |
| <input type="radio"/> GRAY TEMP. | OTHER: _____ |
| <input type="radio"/> LOW-E COATING #2 | |
| OTHER: _____ | |

QTY.	MODEL	ROUGH OPENING	QTY.	MODEL	ROUGH OPENING
SQUARE					
RECTANGULAR					
1414	14 1/4" X 14 1/4"	2230	22 1/4" X 30 1/4"		
1919	19" X 19"	2237	22 1/4" X 37"		
2222	22 1/4" X 22 1/4"	2246	22 1/4" X 46 1/4"		
3030	30 1/4" X 30 1/4"	2272	22 1/4" X 72"		
3737	37" X 37"	2296	22 1/4" X 96"		
4242	42" X 42"	3037	30 1/4" X 37"		
		3069	30 1/4" X 69 1/4"		
	CUSTOM SIZE O.D.CURB		CUSTOM SIZE O.D.CURB		

NOTE:
1.) MINIMUM 2/12 PITCH REQUIRED ON GLASS UNITS
2.) CUSTOM SIZES AVAILABLE UPON REQUEST
3.) GLASS THICKNESS MAY CHANGE ON LARGER SIZED SKYLIGHTS



A-G-CM
SCALE: 6" = 1'-0"

PROJECT :		REVISIONS
CUSTOMER :		△ _____
APPROVED BY:		△ _____
JOB NO. :	DWG. BY: O.S.	DATE:
DATE SUB.:	DATE NEEDED OR SHIP BY:	
	ALUMINUM CURB MOUNT INSULATED GLASS (I.G.U.) SKYLIGHT	PAGE: 1.14