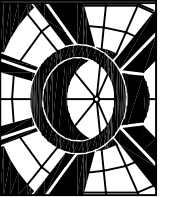


ACRALLIGHT™

INTERNATIONAL SKYLIGHTS
800-325-4355



FRAME FINISH

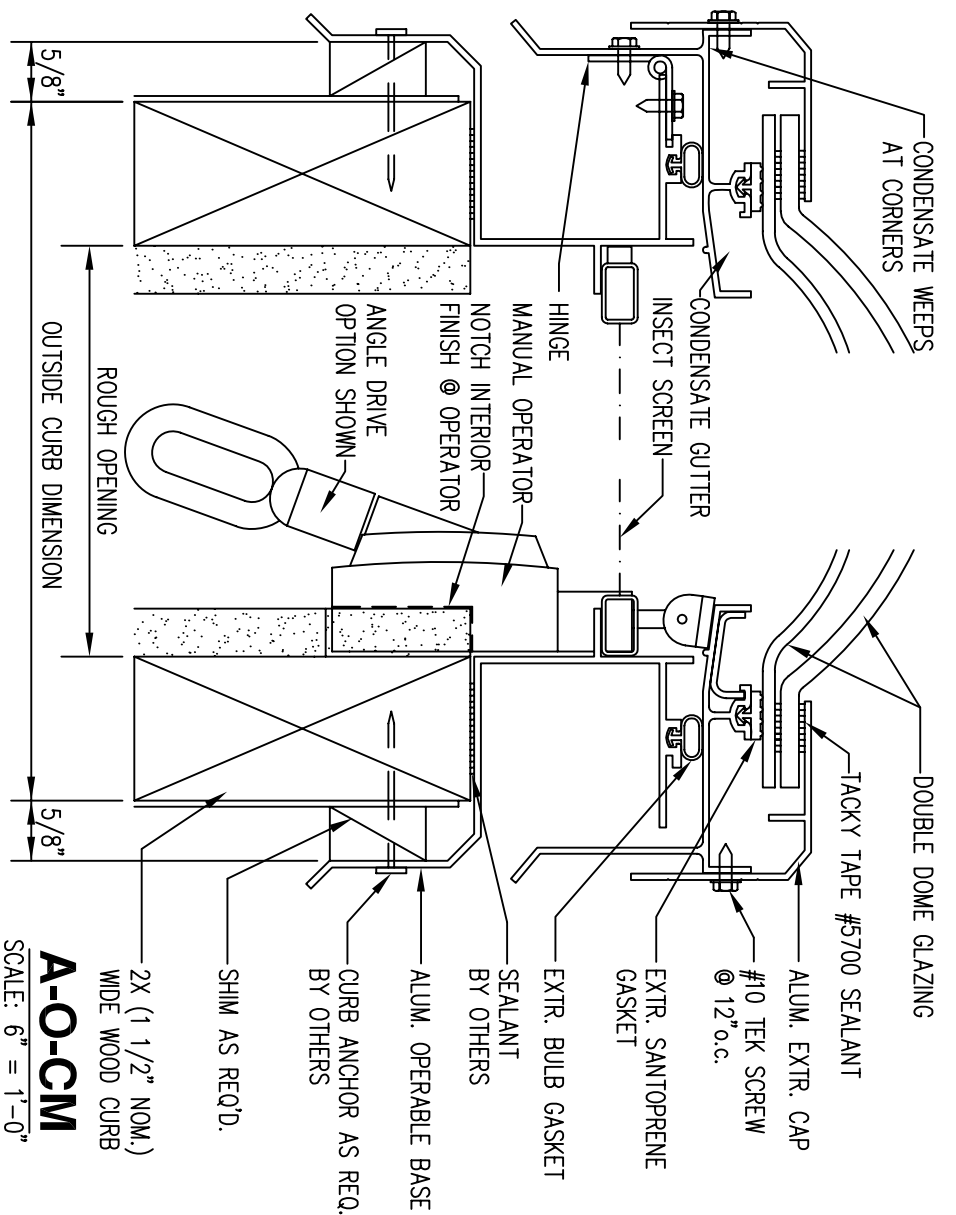
- BRONZE ANODIZE
- CLEAR ANODIZE
- MILL (UNFINISHED)
- PAINT (BRONZE, WHITE, OR
- CUSTOM COLOR: _____

DOUBLE DOME GLAZING

- | | |
|--|---|
| OUTER DOME | INNER DOME |
| <input type="radio"/> WHITE (AW) | <input type="radio"/> WHITE (AW) |
| <input type="radio"/> CLEAR COLORLESS (AC) | <input type="radio"/> CLEAR COLORLESS(AC) |
| <input type="radio"/> BRONZE (AB) | <input type="radio"/> BRONZE (AB) |
| <input type="radio"/> GRAY (AG) | <input type="radio"/> GRAY (AG) |
| <input type="radio"/> OTHER: _____ | <input type="radio"/> OTHER: _____ |

QTY.	MODEL	ROUGH OPENING	QTY.	MODEL	ROUGH OPENING
SQUARE					
1414	14 1/4" X 14 1/4"	2246	22 1/4" X 46 1/4"		
1919	19" X 19"	2272	22 1/4" X 72"		
2222	22 1/4" X 22 1/4"	2296	22 1/4" X 96"		
3030	30 1/4" X 30 1/4"	3037	30 1/4" X 37"		
3737	37" X 37"	3046	30 1/4" X 46 1/4"		
4242	42" X 42"	3069	30 1/4" X 69 1/2"		
4646	46 1/4" X 46 1/4"	3096	30 1/4" X 96"		
4848	48" X 48"	3496	34" X 96"		
RECTANGULAR					
1422	14 1/4" X 22 1/4"	3746	37" X 46 1/4"		
1446	14 1/4" X 46 1/4"	3859	38" X 59"		
2230	22 1/4" X 30 1/4"	4669	46 1/4" X 69 1/2"		
2237	22 1/4" X 37"	4689	46 1/4" X 89 1/2"		
CUSTOM SIZE O.D.CURB		CUSTOM SIZE O.D.CURB			

NOTE: 1.) FIRST CURB DIMENSION DENOTES HINGE SIDE
2.) LARGER SIZES REQUIRE WITH DUAL SPINDLE DRIVES



A-O-CM
SCALE: 6" = 1'-0"

DRIVE OPTION

- ANGLE DR.
- STRAIGHT DR.
- ELECTRIC MOTOR

PROJECT:

CUSTOMER:

APPROVED BY:

JOB NO.:

DATE SUB.:

REVISIONS

NO.	DATE	DESCRIPTION

DATE:

DATE NEEDED OR SHIP BY:

DWG. BY: O.S.

ALUMINUM OPERABLE CURB MOUNT DOUBLE DOME SKYLIGHT