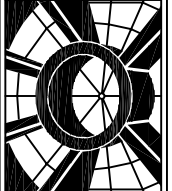


# ACRALIGHT™

INTERNATIONAL SKYLIGHTS  
800-325-4355



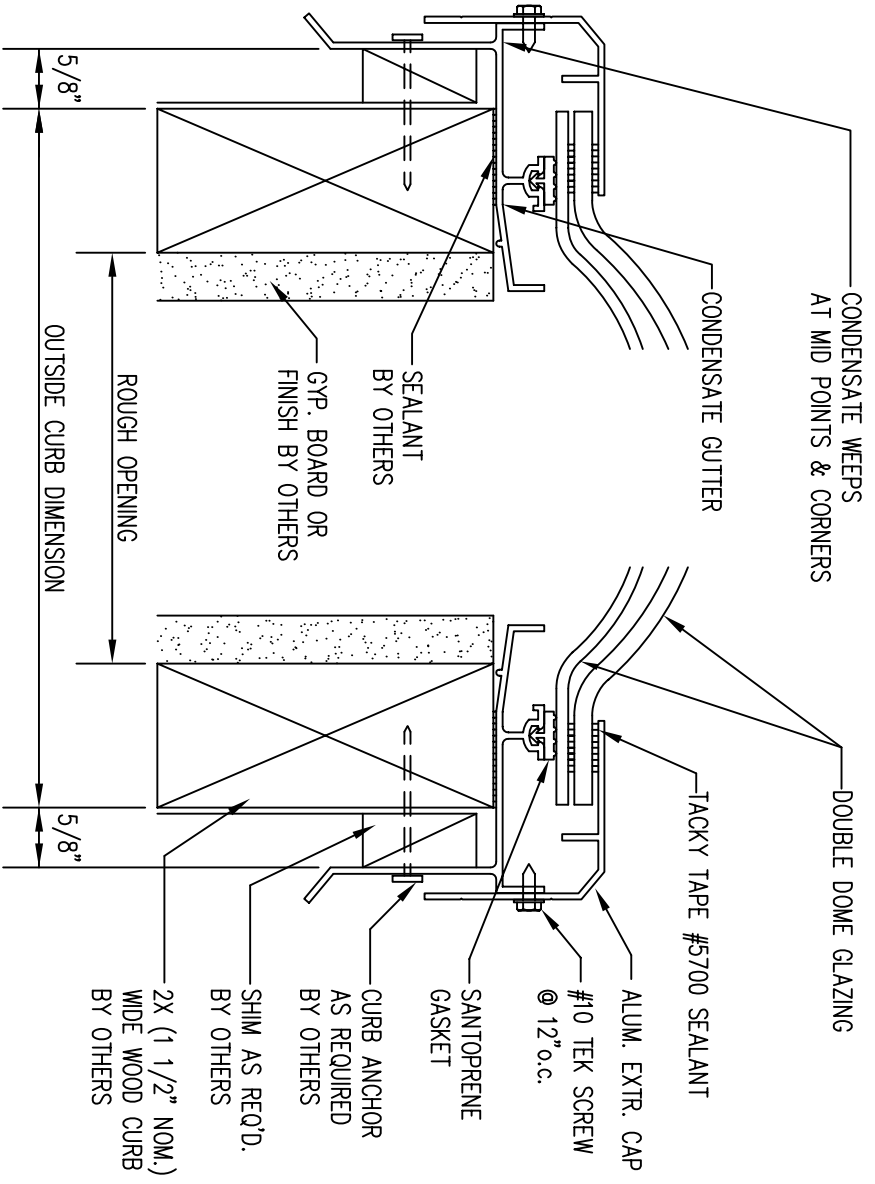
## FRAME FINISH OPTIONS

- BRONZE ANODIZE
- CLEAR ANODIZE
- MILL (UNFINISHED)
- PAINT (BRONZE, WHITE, OR  
CUSTOM COLOR: \_\_\_\_\_)

## DOUBLE DOME GLAZING OPTIONS

- |  |   |                                  |
|--|---|----------------------------------|
| <b>OUTER DOME</b>                          | <input type="radio"/> WHITE (AW)          | <input type="radio"/> WHITE (AW) |
| <input type="radio"/> CLEAR COLORLESS (AC) | <input type="radio"/> CLEAR COLORLESS(AC) |                                  |
| <input type="radio"/> BRONZE (AB)          | <input type="radio"/> BRONZE (AB)         |                                  |
| <input type="radio"/> GRAY (AG)            | <input type="radio"/> GRAY (AG)           |                                  |
| <input type="radio"/> OTHER: _____         | <input type="radio"/> OTHER: _____        |                                  |

QTY.	MODEL	ROUGH OPENING	QTY.	MODEL	ROUGH OPENING
		SQUARE			RECTANGULAR
1414	14 1/4"	14 1/4" X 14 1/4"	2237	22 1/4"	37"
1919	19"	19" X 19"	2246	22 1/4"	46 1/4"
2222	22 1/4"	22 1/4" X 22 1/4"	2272	22 1/4"	72"
3030	30 1/4"	30 1/4" X 30 1/4"	2296	22 1/4"	96"
3737	37"	37" X 37"	3037	30 1/4"	37"
4242	42"	42" X 42"	3046	30 1/4"	46 1/4"
4646	46 1/4"	46 1/4" X 46 1/4"	3069	30 1/4"	69 1/2"
4848	48"	48" X 48"	3096	30 1/4"	96"
5555	55"	55" X 55"	3496	34"	96"
7070	70 1/4"	70 1/4" X 70 1/4"	3746	37"	46 1/4"
7575	75"	75" X 75"	3775	37"	75"
8484	84"	84" X 84"	3859	38"	59"
9292	92 1/2"	92 1/2" X 92 1/2"	4669	46 1/4"	69 1/2"
	RECTANGULAR		4689	46 1/4"	89 1/2"
1422	14 1/4"	14 1/4" X 22 1/4"	4896	48"	96"
1446	14 1/4"	14 1/4" X 46 1/4"	5460	54"	60"
2230	22 1/4"	22 1/4" X 30 1/4"	6096	60"	96"
	CUSTOM SIZE O.D.CURB			CUSTOM SIZE O.D.CURB	



**A-S-CM**  
SCALE : 6" = 1'-0"

**PROJECT :** \_\_\_\_\_

**CUSTOMER :** \_\_\_\_\_

**APPROVED BY :** \_\_\_\_\_ **DATE:** \_\_\_\_\_

**JOB NO. :** \_\_\_\_\_ **DWG. BY: O.S.** **DATE NEEDED OR SHIP BY:** \_\_\_\_\_

**DATE SUB.:** \_\_\_\_\_ **ALUMINUM CURB MOUNT DOUBLE DOME SKYLIGHT**

REVISIONS
△ _____
△ _____
△ _____

**PAGE: 1.02**